



SERVICE MANUAL

SERVICE MANUAL

MODELS : T512C/T532C/T512AH/T532AH

SERVICE MANUAL

**T512C/T532C/
T512AH/T532AH**

DVD PLAYER

DVD PLAYER

**T512C/T532C/
T512AH/T532AH**



**T512C/T532C/
T512AH/T532AH**
DVD PLAYER

© NAD 2003

**NAD ELECTRONICS INTERNATIONAL
TORONTO**

CONTENTS

SECTION 1 SUMMARY

SECTION 2 CABINET & MAIN CHASSIS

SECTION 3 ELECTRICAL

SECTION 4 MECHANISM

SECTION 5 REPLACEMENT PART LIST

SECTION 1

SUMMARY

CONTENTS

PRODUCT SAFETY SERVICING GUIDELINES FOR VIDEO PRODUCTS	1-3
SERVICING PRECAUTIONS	1-4
• General Servicing Precautions	
• Insulation Checking Prodedure	
• Electrostatically Sensitive Devices	
SPECIFICATIONS	1-5

PRODUCT SAFETY SERVICING GUIDELINES FOR VIDEO PRODUCTS

CAUTION : DO NOT ATTEMPT TO MODIFY THIS PRODUCT IN ANY WAY, NEVER PERFORM CUSTOMIZED INSTALLATIONS WITHOUT MANUFACTURER'S APPROVAL. UNAUTHORIZED MODIFICATIONS WILL NOT ONLY VOID THE WARRANTY, BUT MAY LEAD TO YOUR BEING LIABLE FOR ANY RESULTING PROPERTY DAMAGE OR USER INJURY.

SERVICE WORK SHOULD BE PERFORMED ONLY AFTER YOU ARE THOROUGHLY FAMILIAR WITH ALL OF THE FOLLOWING SAFETY CHECKS AND SERVICING GUIDELINES. TO DO OTHERWISE, INCREASES THE RISK OF POTENTIAL HAZARDS AND INJURY TO THE USER.

WHILE SERVICING, USE AN ISOLATION TRANSFORMER FOR PROTECTION FROM A.C. LINE SHOCK.

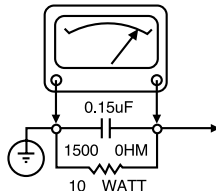
SAFETY CHECKS

AFTER THE ORIGINAL SERVICE PROBLEM HAS BEEN CORRECTED, A CHECK SHOULD BE MADE OF THE FOLLOWING.

SUBJECT : FIRE & SHOCK HAZARD

1. BE SURE THAT ALL COMPONENTS ARE POSITIONED IN SUCH A WAY AS TO AVOID POSSIBILITY OF ADJACENT COMPONENT SHORTS. THIS IS ESPECIALLY IMPORTANT ON THOSE MODULES WHICH ARE TRANSPORTED TO AND FROM THE REPAIR SHOP.
2. NEVER RELEASE A REPAIR UNLESS ALL PROTECTIVE DEVICES SUCH AS INSULATORS, BARRIERS, COVERS, SHIELDS, STRAIN RELIEFS, POWER SUPPLY CORDS, AND OTHER HARDWARE HAVE BEEN REINSTALLED PER ORIGINAL DESIGN. BE SURE THAT THE SAFETY PURPOSE OF THE POLARIZED LINE PLUG HAS NOT BEEN DEFEATED.
3. SOLDERING MUST BE INSPECTED TO DISCOVER POSSIBLE COLD SOLDER JOINTS, SOLDER SPLASHES OR SHARP SOLDER POINTS. BE CERTAIN TO REMOVE ALL LOOSE FOREIGN PARTICLES.
4. CHECK FOR PHYSICAL EVIDENCE OF DAMAGE OR DETERIORATION TO PARTS AND COMPONENTS. FOR FRAYED LEADS, DAMAGED INSULATION (INCLUDING A.C. CORD), AND REPLACE IF NECESSARY FOLLOW ORIGINAL LAYOUT, LEAD LENGTH AND DRESS.
5. NO LEAD OR COMPONENT SHOULD TOUCH A RECEIVING TUBE OR A RESISTOR RATED AT 1 WATT OR MORE. LEAD TENSION AROUND PROTRUDING METAL SURFACES MUST BE AVOIDED.
6. ALL CRITICAL COMPONENTS SUCH AS FUSES, FLAMEPROOF RESISTORS, CAPACITORS, ETC. MUST BE REPLACED WITH EXACT FACTORY TYPES. DO NOT USE REPLACEMENT COMPONENTS OTHER THAN THOSE SPECIFIED OR MAKE UNRECOMMENDED CIRCUIT MODIFICATIONS.
7. AFTER RE-ASSEMBLY OF THE SET ALWAYS PERFORM AN A.C. LEAKAGE TEST ON ALL EXPOSED METALLIC PARTS OF THE CABINET, (THE CHANNEL SELECTOR KNOB, ANTENNA TERMINALS, HANDLE AND SCREWS) TO BE SURE THE SET IS SAFE TO OPERATE WITHOUT DANGER OF ELECTRICAL SHOCK. DO NOT USE A LINE ISOLATION TRANSFORMER DURING THIS TEST USE AN A.C. VOLT-METER, HAVING 5000 OHMS PER VOLT OR MORE SENSITIVITY, IN THE FOLLOWING MANNER; CONNECT A 1500 OHM 10 WATT RESISTOR, PARALLELED BY A .15 MFD. 150.V A.C TYPE CAPACITOR BETWEEN A KNOWN GOOD EARTH GROUND (WATER PIPE, CONDUIT, ETC.) AND THE EXPOSED METALLIC PARTS, ONE AT A TIME. MEASURE THE A.C. VOLTAGE ACROSS THE COMBINATION OF 1500 OHM RESISTOR AND .15 MFD CAPACITOR. REVERSE THE A.C. PLUG AND REPEAT A.C. VOLTAGE MEASUREMENTS FOR EACH EXPOSED METALLIC PART. VOLTAGE MEASURED MUST NOT EXCEED 75 VOLTS R.M.S. THIS CORRESPONDS TO 0.5 MILLIAMPS A.C ANY VALUE EXCEEDING THIS LIMIT CONSTITUTES A POTENTIAL SHOCK HAZARD AND MUST BE CORRECTED IMMEDIATELY.

A.C. VOLTMETER



GOOD EARTH GROUND
SUCH AS THE WATER
PIPE, CONDUIT, ETC

PLACE THIS PROBE
ON EACH EXPOSED
METAL PART

SUBJECT: GRAPHIC SYMBOLS



THE LIGHTNING FLASH WITH APROWHEAD SYMBOL, WITHIN AN EQUILATERAL TRIANGLE, IS INTENDED TO ALERT THE SERVICE PERSONNEL TO THE PRESENCE OF UNINSULATED "DANGEROUS VOLTAGE" THAT MAY BE OF SUFFICIENT MAGNITUDE TO CONSTITUTE A RISK OF ELECTRIC SHOCK.



THE EXCLAMATION POINT WITHIN AN EQUILATERAL TRIANGLE IS INTENDED TO ALERT THE SERVICE PERSONNEL TO THE PRESENCE OF IMPORTANT SAFETY INFORMATION IN SERVICE LITERATURE.

SUBJECT : X-RADIATION

1. BE SURE PROCEDURES AND INSTRUCTIONS TO ALL SERVICE PERSONNEL COVER THE SUBJECT OF X-RADIATION. THE ONLY POTENTIAL SOURCE OF X-RAYS IN CURRENT T.V. RECEIVERS IS THE PICTURE TUBE. HOWEVER, THIS TUBE DOES NOT EMIT X-RAYS WHEN THE HIGH VOLTAGE IS AT THE FACTORY SPECIFIED LEVEL. THE PROPER VALUE IS GIVEN IN THE APPLICABLE SCHEMATIC. OPERATION AT HIGHER VOLTAGES MAY CAUSE A FAILURE OF THE PICTURE TUBE OR HIGH VOLTAGE SUPPLY AND, UNDER CERTAIN CIRCUMSTANCES, MAY PRODUCE RADIATION IN EXCESS OF DESIRABLE LEVELS.
2. ONLY FACTORY SPECIFIED C.R.T. ANODE CONNECTORS MUST BE USED. DEGAUSSING SHIELDS ALSO SERVE AS X-RAY SHIELD IN COLOR SETS, ALWAYS RE-INSTALL THEM.
3. IT IS ESSENTIAL THAT SERVICE PERSONNEL HAVE AVAILABLE AN ACCURATE AND RELIABLE HIGH VOLTAGE METER. THE CALIBRATION OF THE METER SHOULD BE CHECKED PERIODICALLY AGAINST A REFERENCE STANDARD, SUCH AS THE ONE AVAILABLE AT YOUR DISTRIBUTOR.
4. WHEN THE HIGH VOLTAGE CIRCUITRY IS OPERATING PROPERLY THERE IS NO POSSIBILITY OF AN X-RADIATION PROBLEM. EVERY TIME A COLOR CHASSIS IS SERVICED, THE BRIGHTNESS SHOULD BE RUN UP AND DOWN WHILE MONITORING THE HIGH VOLTAGE WITH A METER TO BE CERTAIN THAT THE HIGH VOLTAGE DOES NOT EXCEED THE SPECIFIED VALUE AND THAT IT IS REGULATING CORRECTLY, WE SUGGEST THAT YOU AND YOUR SERVICE ORGANIZATION REVIEW TEST PROCEDURES SO THAT VOLTAGE REGULATION IS ALWAYS CHECKED AS A STANDARD SERVICING PROCEDURE. AND THAT THE HIGH VOLTAGE READING BE RECORDED ON EACH CUSTOMER'S INVOICE.
5. WHEN TROUBLESHOOTING AND MAKING TEST MEASUREMENTS IN A PRODUCT WITH A PROBLEM OF EXCESSIVE HIGH VOLTAGE, AVOID BEING UNNECESSARILY CLOSE TO THE PICTURE TUBE AND THE HIGH VOLTAGE SUPPLY. DO NOT OPERATE THE PRODUCT LONGER THAN IS NECESSARY TO LOCATE THE CAUSE OF EXCESSIVE VOLTAGE.
6. REFER TO HV. B+ AND SHUTDOWN ADJUSTMENT PROCEDURES DESCRIBED IN THE APPROPRIATE SCHEMATIC AND DIAGRAMS (WHERE USED).

SUBJECT: IMPLOSION

1. ALL DIRECT VIEWED PICTURE TUBES ARE EQUIPPED WITH AN INTEGRAL IMPLOSION PROTECTION SYSTEM, BUT CARE SHOULD BE TAKEN TO AVOID DAMAGE DURING INSTALLATION, AVOID SCRATCHING THE TUBE. IF SCRATCHED REPLACE IT.

2. USE ONLY RECOMMENDED FACTORY REPLACEMENT TUBES.

SUBJECT : TIPS ON PROPER INSTALLATION

1. NEVER INSTALL ANY PRODUCT IN A CLOSED-IN RECESS, CUBBY-HOLE OR CLOSELY FITTING SHELF SPACE. OVER OR CLOSE TO HEAT DUCT, OR IN THE PATH OF HEATED AIR FLOW.
2. AVOID CONDITIONS OF HIGH HUMIDITY SUCH AS: OUTDOOR PATIO INSTALLATIONS WHERE DEW IS A FACTOR, NEAR STEAM RADIATORS WHERE STEAM LEAKAGE IS A FACTOR, ETC.
3. AVOID PALCEMENT WHERE DRAPERIES MAY OBSTRUCT REAR VENTING. THE CUSTOMER SHOULD ALSO AVOID THE USE OF DECORATIVE SCARVES OR OTHER COVERINGS WHICH MIGHT OBSTRUCT VENTILATION.
4. WALL AND SHELF MOUNTED INSTALLATIONS USING A COMMERCIAL MOUNTING KIT. MUST FOLLOW THE FACTORY APPROVED MOUNTING INSTRUCTIONS A PRODUCT MOUNTED TO A SHELF OR PLATFORM MUST RETAIN ITS ORIGINAL FEET (OR THE EQUIVALENT THICKNESS IN SPACERS) TO PROVIDE ADEQUATE AIR FLOW ACROSS THE BOTTOM, BOLTS OR SCREWS USED FOR FASTENERS MUST NOT TOUCH ANY PARTS OR WIRING. PERFORM LEAKAGE TEST ON CUSTOMIZED INSTALLATIONS.
5. CAUTION CUSTOMERS AGAINST THE MOUNTING OF A PRODUCT ON SLOPING SHELF OR A TILTED POSITION, UNLESS THE PRODUCT IS PROPERLY SECURED.
6. A PRODUCT ON A ROLL-ABOUT CART SHOULD BE STABLE ON ITS MOUNTING TO THE CART. CAUTION THE CUSTOMER ON THE HAZARDS OF TRYING TO ROLL A CART WITH SMALL CASTERS ACROSS THRESHOLDS OR DEEP PILE CARPETS.
7. CAUTION CUSTOMERS AGAINST THE USE OF A CART OR STAND WHICH HAS NOT BEEN LISTED BY UNDERWRITERS LABORATORIES, INC. FOR USE WITH THEIR SPECIFIC MODEL OF TELEVISION RECEIVER OR GENERICALLY APPROVED FOR USE WITH T.V.'S OF THE SAME OR LARGER SCREEN SIZE.
8. CAUTION CUSTOMERS AGAINST THE USE OF EXTENSION CORDS, EXPLAIN THAT A FOREST OF EXTENSIONS SPROUTING FROM A SINGLE OUTLET CAN LEAD TO DISASTROUS CONSEQUENCES TO HOME AND FAMILY.

SERVICING PRECAUTIONS

CAUTION : Before servicing the DVD covered by this service data and its supplements and addends, read and follow the **SAFETY PRECAUTIONS**. **NOTE :** if unforeseen circumstances create conflict between the following servicing precautions and any of the safety precautions in this publication, always follow the safety precautions.

Remembers Safety First:

General Servicing Precautions

1. Always unplug the DVD AC power cord from the AC power source before:
 - (1) Removing or reinstalling any component, circuit board, module, or any other assembly.
 - (2) Disconnection or reconnecting any internal electrical plug or other electrical connection.
 - (3) Connecting a test substitute in parallel with an electrolytic capacitor.

Caution : A wrong part substitution or incorrect polarity installation of electrolytic capacitors may result in an explosion hazard.
2. Do not spray chemicals on or near this DVD or any of its assemblies.
3. Unless specified otherwise in this service data, clean electrical contacts by applying an appropriate contact cleaning solution to the contacts with a pipe cleaner, cotton-tipped swab, or comparable soft applicator. Unless specified otherwise in this service data, lubrication of contacts is not required.
4. Do not defeat any plug/socket B+ voltage interlocks with which instruments covered by this service manual might be equipped.
5. Do not apply AC power to this DVD and/or any of its electrical assemblies unless all solid-state device heat sinks are correctly installed.
6. Always connect test instrument ground lead to the appropriate ground before connection the test instrument positive lead. Always remove the test instrument ground lead last.

Insulation Checking Procedure

Disconnect the attachment plug from the AC outlet and turn the power on. Connect an insulation resistance meter(500V) to the blades of the attachment plug. The insulation resistance between each blade of the attachment plug and accessible conductive parts (Note 1) should be more than 1M-ohm.

Note 1 : Accessible Conductive Parts including Metal panels, Input terminals, Earphone jacks, etc.

Electrostatically Sensitive (ES) Devices

Some semiconductor (solid state) devices can be damaged easily by static electricity. Such components commonly are called Electrostatically Sensitive (ES) Devices. Examples of typical ES devices are integrated circuits and some field effect transistors and semiconductor chip components.

The following techniques should be used to help reduce the incidence of component damage caused by static electricity.

1. Immediately before handling any semiconductor component or semiconductor-equipped assembly, drain off any electrostatic charge on your body by touching a known earth ground. Alternatively, obtain and wear a commercially available discharging wrist strap device, which should be removed for potential shock reasons prior to applying power to the unit under test.
2. After removing an electrical assembly equipped with ES devices, place the assembly on a conductive surface such as aluminum foil, to prevent electrostatic charge buildup or exposure of the assembly.
3. Use only a grounded-tip soldering iron to solder or unsolder ES devices.
4. Use only an anti-static solder removal device. Some solder removal devices not classified a "anti-static" can generate electrical charges sufficient to damage ES devices.
5. Do not use freon-propelled chemicals. These can generate electrical charge sufficient to damage ES devices.
6. Do not remove a replacement ES device from its protective package until immediately before you are ready to install it. (Most replacement ES devices are packaged with leads electrically shorted together by conductive foam, aluminum foil, or comparable conductive material).
7. Immediately before removing the protective material from the leads of a replacement ES device, touch the protective material to the chassis or circuit assembly into which the device will be installed.

Caution : Be sure no power is applied to the chassis or circuit, and observe all other safety precautions.

8. Minimize bodily motions when handling unpackaged replacement ES devices. (Normally harmless motion such as the brushing together of your clothes fabric or the lifting of your foot from a carpeted floor can generate static electricity sufficient to damage an ES device.)

SPECIFICATIONS

• GENERAL

Power requirements	AC 120V, 60Hz(USA), AC 110~220V, 60Hz(EUROPE)
Power consumption	14W
Dimensions(approx.)	430 x 69 x 230mm (W/h/d)
Mass(approx.)	3.4kg
Operating temperature	5°C to 35°C (41°F to 95°F)
Operating humidity	5% to 9%

• SYSTEM

Laser	Semiconductor laser, wavelength 650nm
Signal system	NTSC(USA), NTSC/PAL(EUROPE)
Frequency response	DVD (PCM 96kHz): 2Hz to 44kHz DVD (PCM 48kHz): 2Hz to 22kHz CD: 2Hz to 20kHz
Signal-to-noise ratio	More than 100dB (ANALOG OUT connectors only)
Harmonic distortion	Less than 0.008%
Dynamic range	More than 95dB(DVD) More than 95dB(CD)
Wow and flutter	Less than detected value ($\pm 0.001\%$ W PEAK)

• OUTPUTS

VIDEO OUTPUTS	1V p-p, 75 ohms, sync negative
S-V IDEO OUTPUTS	(Y)1.0V(p-p), 75 Ω , negative sync., Mini DIN 4-pin x 1 (C)0.286V(p-p), 75 ohms(USA), (C)0.3V(p-p), 75 ohms(EUROPE)
Audio output(digital audio)	0.5V(p-p), 75 Ω , RCA jack X 1 (TO TV)
Audio output(optical audio)	Optical connector x 1
Audio output(analog audio)	2.0Vrms (1kHz, 0dB), 330 Ω , RCA jack (L, R) x 1 (TO TV)

SECTION 2
CABINET & MAIN CHASSIS

CONTENTS

- 1. DISASSEMBLY.....2-2**
 - CABINET DISASSEMBLY2-2**
 - CIRCUIT BOARD DISASSEMBLY2-3**
- 2. EXPLODED VIEWS2-4**
 - 1. Cabinet and Main Frame Section2-4**
 - 2. Packing Accessory Section2-5**

DISASSEMBLY

CAUTION BEFORE STARTING SERVICING

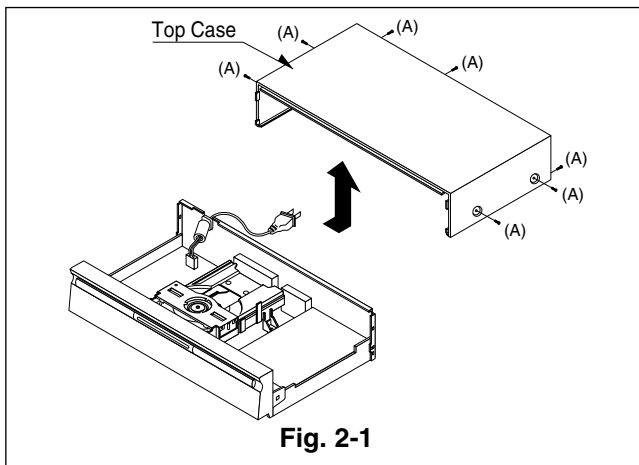
Electronic parts are susceptible to static electricity and may easily be damaged, so do not forget to take a proper grounding treatment as required.

Many screws are used inside the unit. To prevent missing, dropping, etc. of the screws, always use a magnetized screw driver in servicing. Several kinds of screws are used and some of them need special cautions. That is, take care of the tapping screws securing molded parts and fine pitch screws used to secure metal parts. If they are used improperly, the screw holes will be easily damaged and the parts can not be fixed.

CABINET DISASSEMBLY

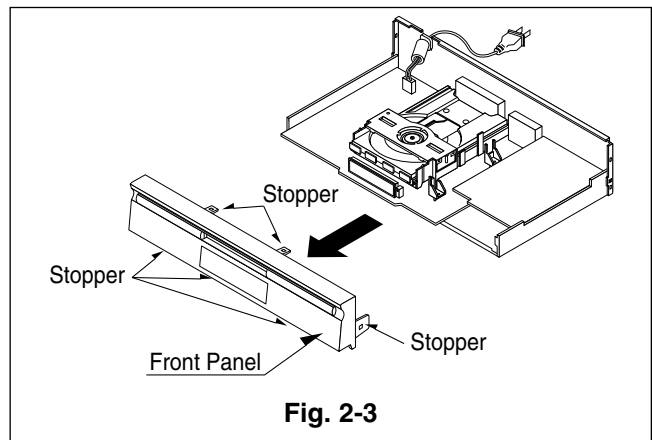
1. Top Case

1. Release 7 screws (A). (See Fig. 2-1)
2. Lift the top case with holding the back of it, and remove it in the direction of the arrow



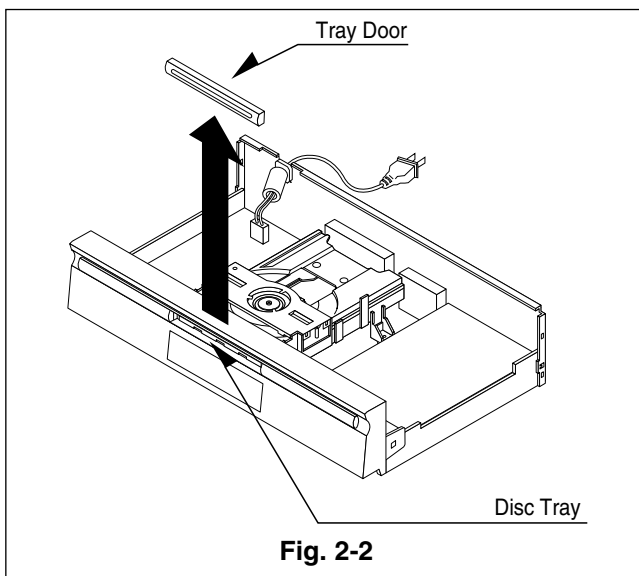
3. Front Panel

1. Eject the disc tray. (See Fig. 2-2)
2. Remove the tray door. (See Fig. 2-2)
3. Pull the front panel toward you while pressing 7 stoppers to disengage, and remove the front panel. (See Fig. 2-3)



2. Tray Door

1. Eject the disc tray.
2. Lift up the tray door in the direction of the arrow.

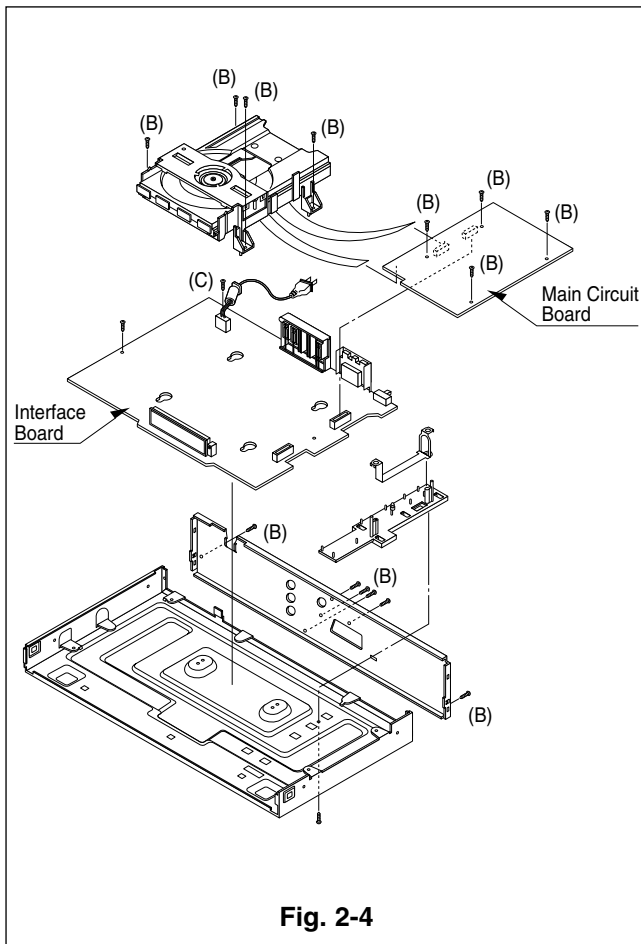


CIRCUIT BOARD DISASSEMBLY

Note: Before removing the main circuit board, be sure to shortcircuit the laserdiode output land.
After replacing the main circuit board, open the land after inserting the flexible connector.
(Refer to Mechanism Disassembly)

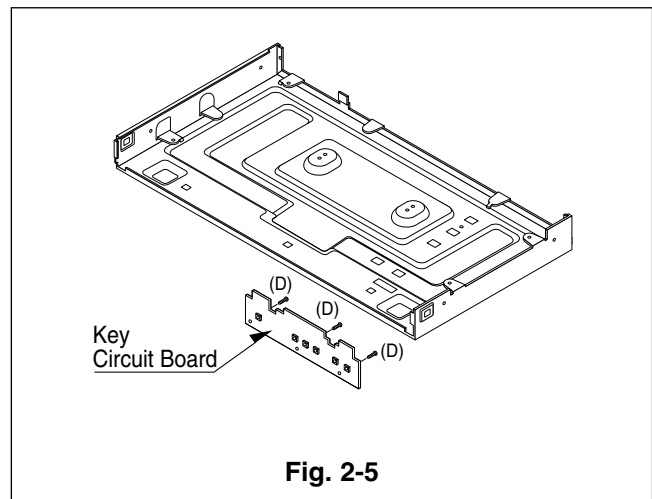
1. Disassembling of Main Circuit Board and Interface Board

1. Remove the top case.(See Fig. 2-1)
2. Remove 14 screw (B).
3. Remove the Deck from Main Circuit Board.
4. Remove Main Circuit Board from Interface Board.
5. Remove 2 screw (C).
6. Remove Interface Board from the chassis.



2. Digitron and Key Circuit Board

1. Remove the front panel.(See Fig. 2-3)
2. Release 3 screws (D), and remove the digitron circuit board.

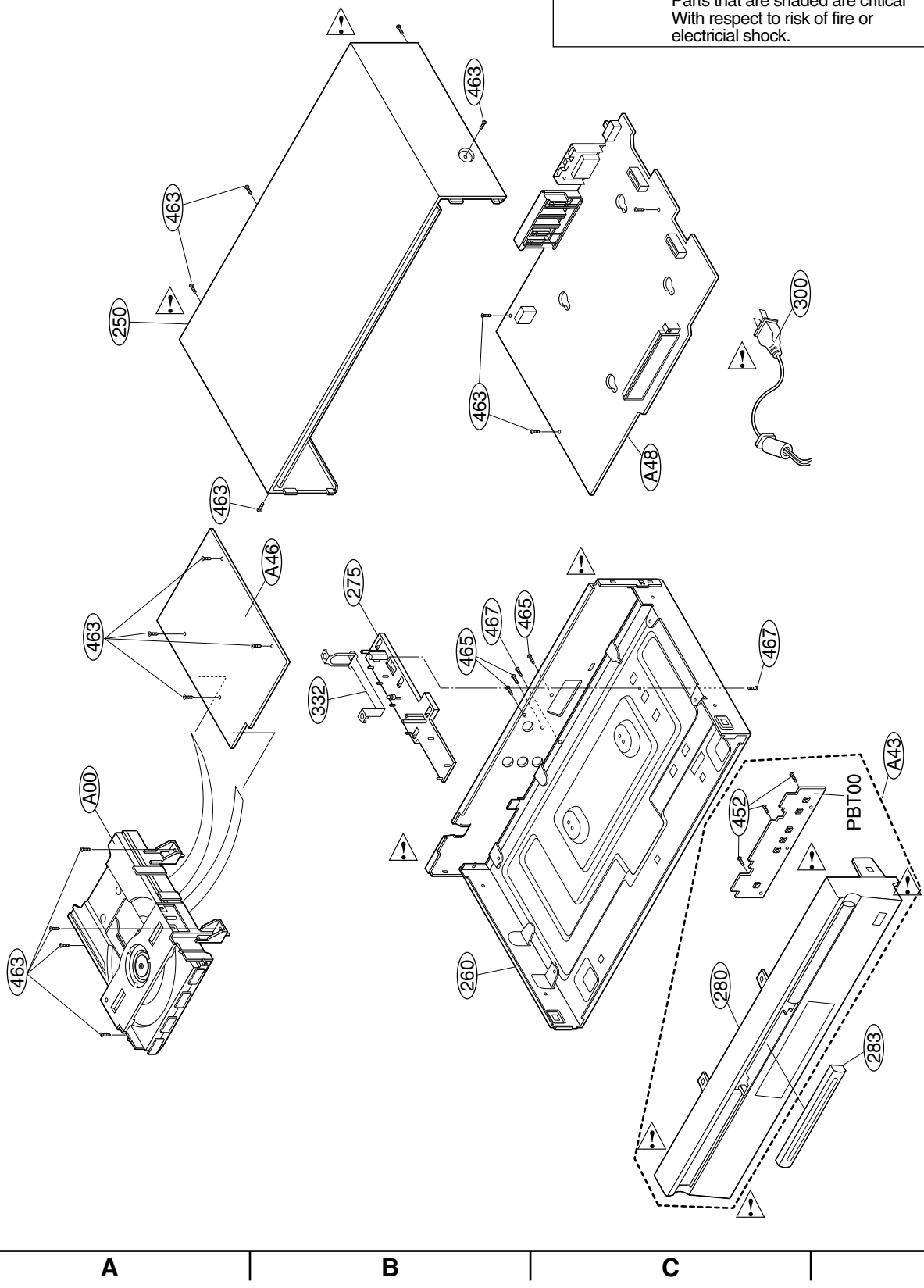


EXPLODED VIEWS

1. Cabinet and Main Frame Section

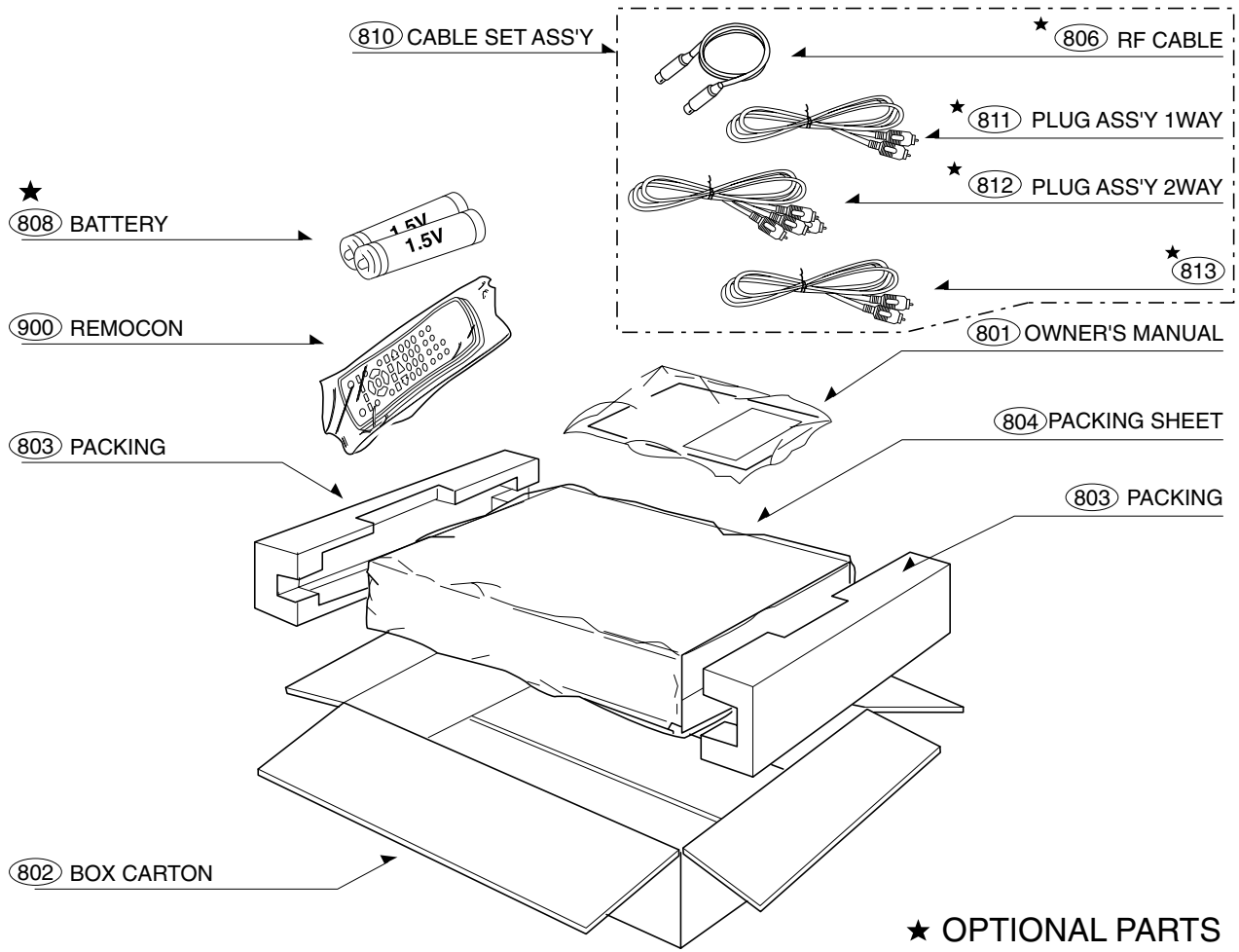
NOTES) ⚠ Warning
Parts that are shaded are critical
With respect to risk of fire or
electrical shock.

5
4
3
2
1



A B C D

2. Packing Accessory Section

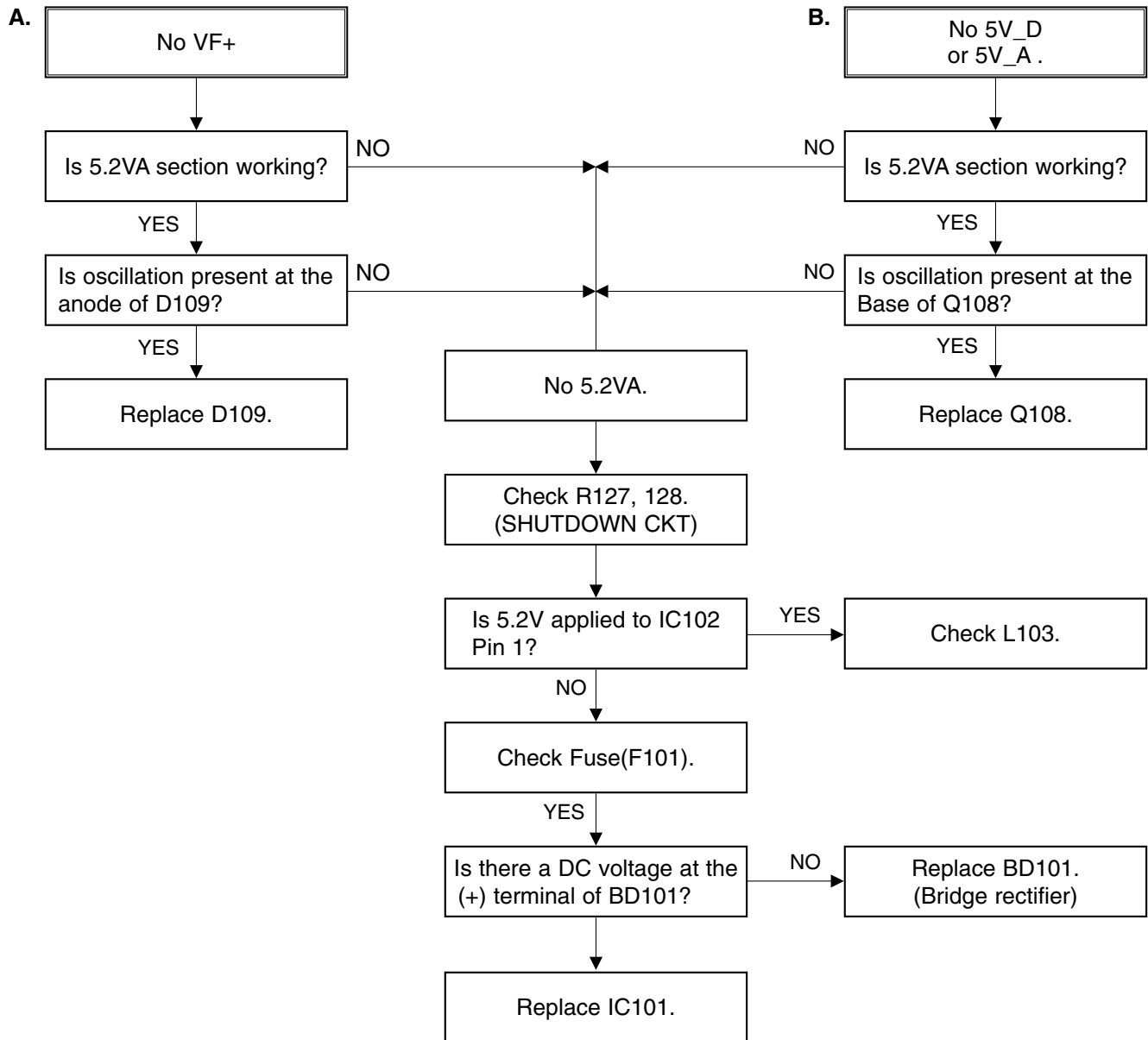


SECTION 3 ELECTRICAL CONTENTS

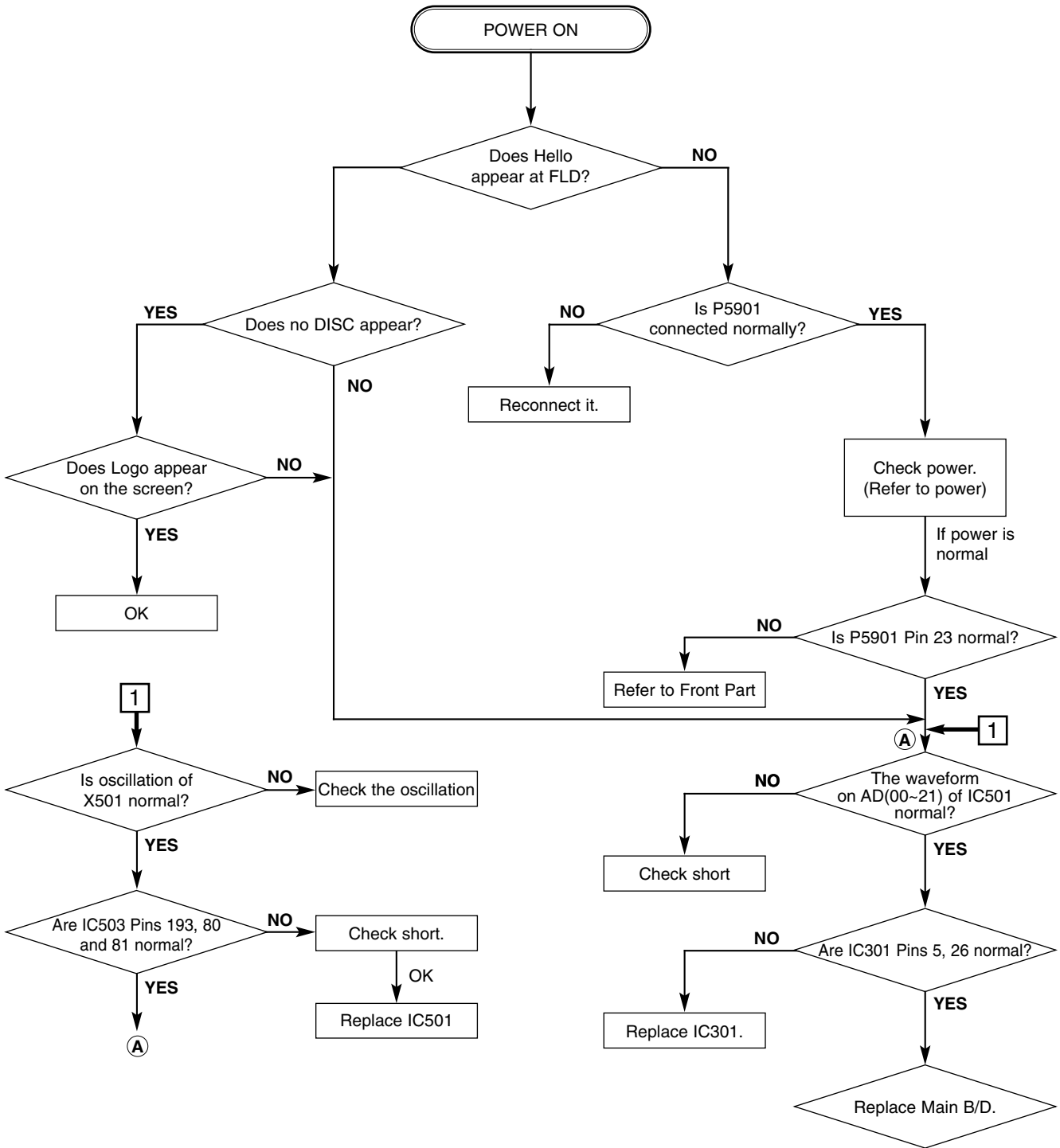
ELECTRICAL TROUBLESHOOTING GUIDE.....	3-2
1. Power(SMPS) Circuit.....	3-2
2. μ -com Circuit.....	3-3
3. MPEG Circuit.....	3-6
4. Front Circuit(Digitron & Key)	3-7
5. RF/Servo Circuit	3-8
BLOCK DIAGRAMS	3-12
1. Overall Block Diagram	3-13
2. Power (SMPS) Block Diagram.....	3-14
3. RF/CD DSP/DVD DSP/DVD servo Block Diagram	3-14
4. Audio Block Diagram	3-15
5. MPEG & MEMORY Block Diagram	3-16
CIRCUIT DIAGRAMS	3-17
1. Power (SMPS) Circuit Diagram	3-17
2. DVD DSP Circuit Diagram.....	3-19
3. Drive & RF Circuit Diagram	3-21
4. MPEG Circuit Diagram	3-23
• WAVEFORMS	3-25
5. Audio Circuit Diagram.....	3-27
6. MEMORY Circuit Diagram	3-29
7. FRONT Circuit Diagram.....	3-31
8. A/V JACK Circuit Diagram	3-33
• CIRCUIT VOLTAGE CHART	3-35
PRINTED CIRCUIT DIAGRAMS	3-39
1. MAIN P.C.BOARD	3-39
2. POWER,A/V,FRONT P.C.BOARD	3-41
3. KEY P.C.BOARD.....	3-43

ELECTRICAL TROUBLESHOOTING GUIDE

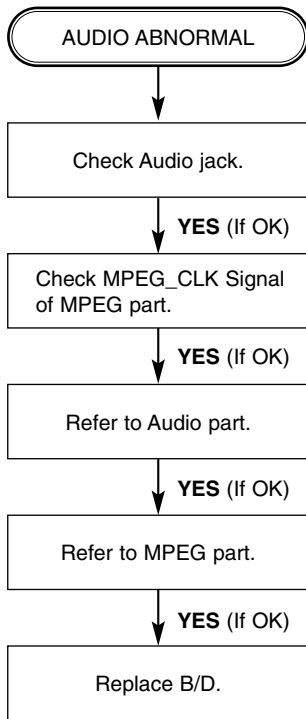
1. Power(SMPS) Circuit



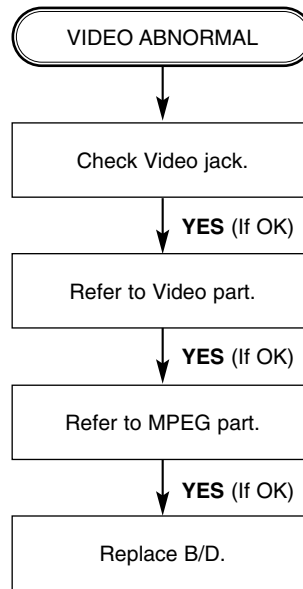
2. μ -COM Circuit
A. No Power



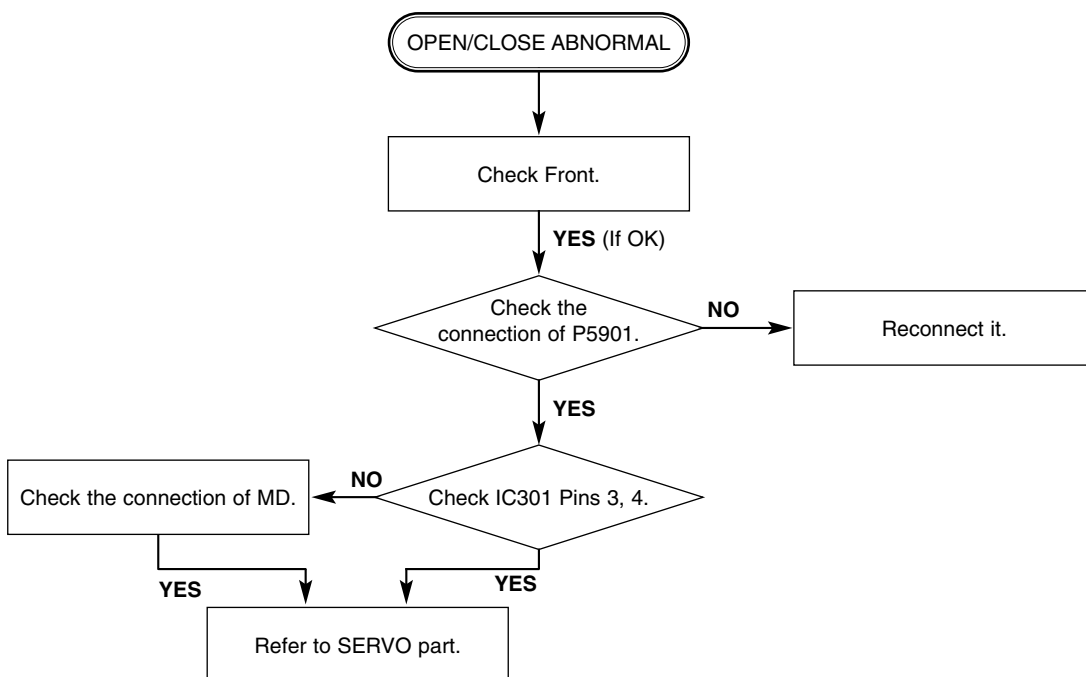
B. Audio abnormal



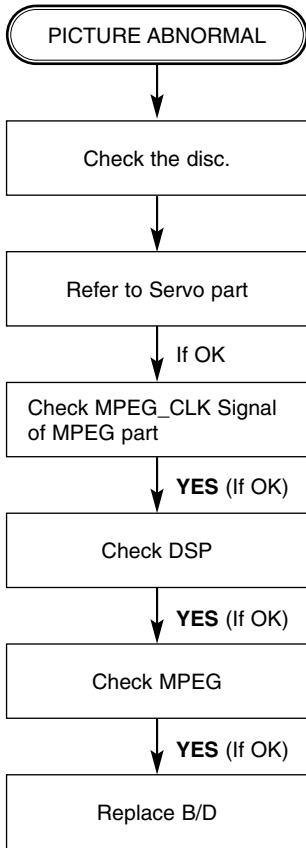
C. Video abnormal



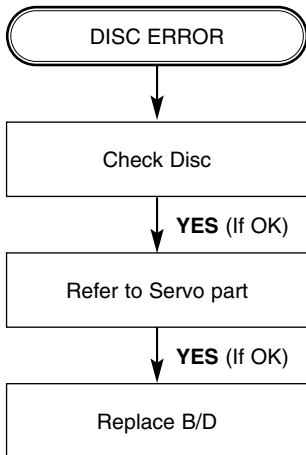
D. Open/Close abnormal



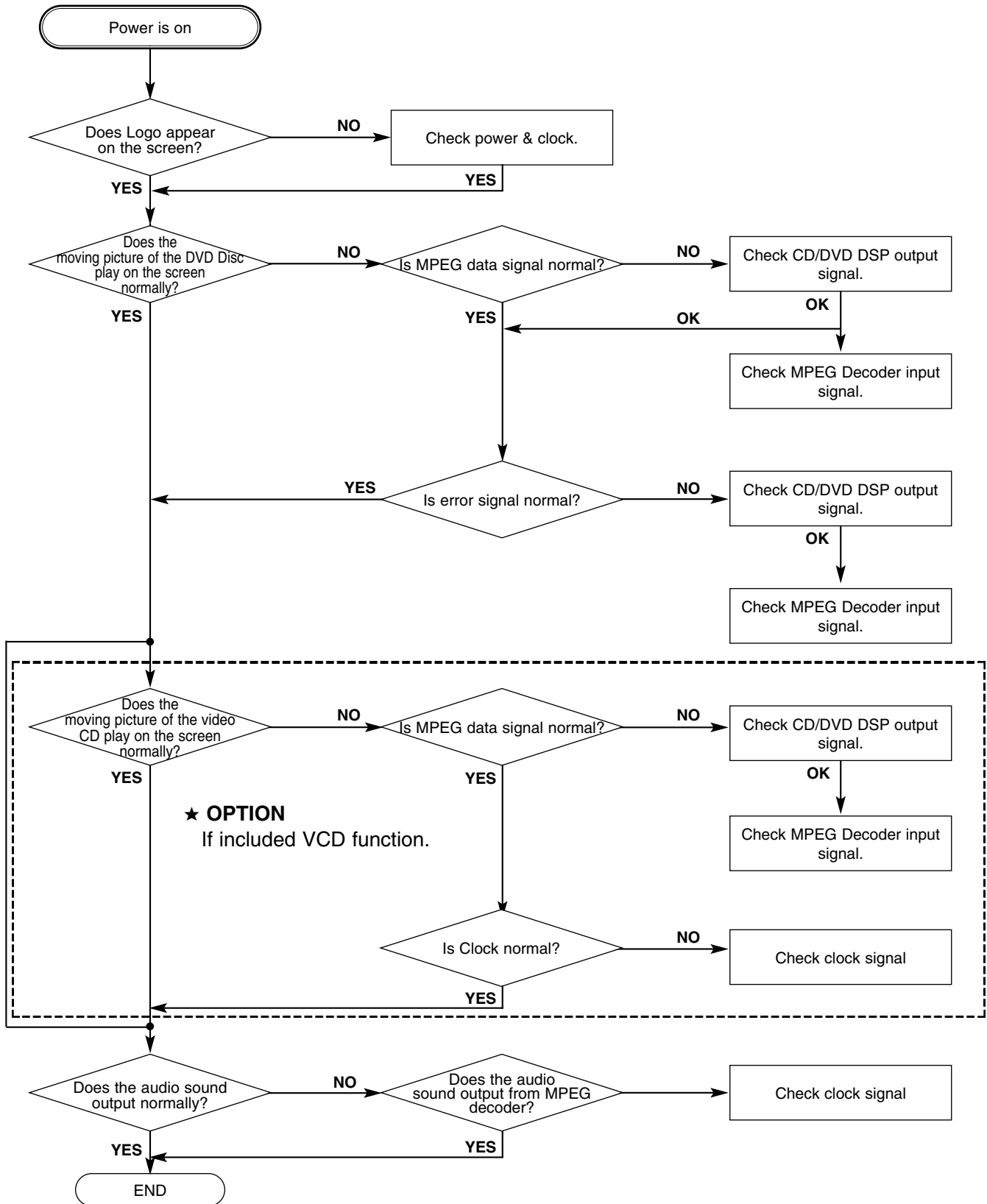
E. Picture abnormal



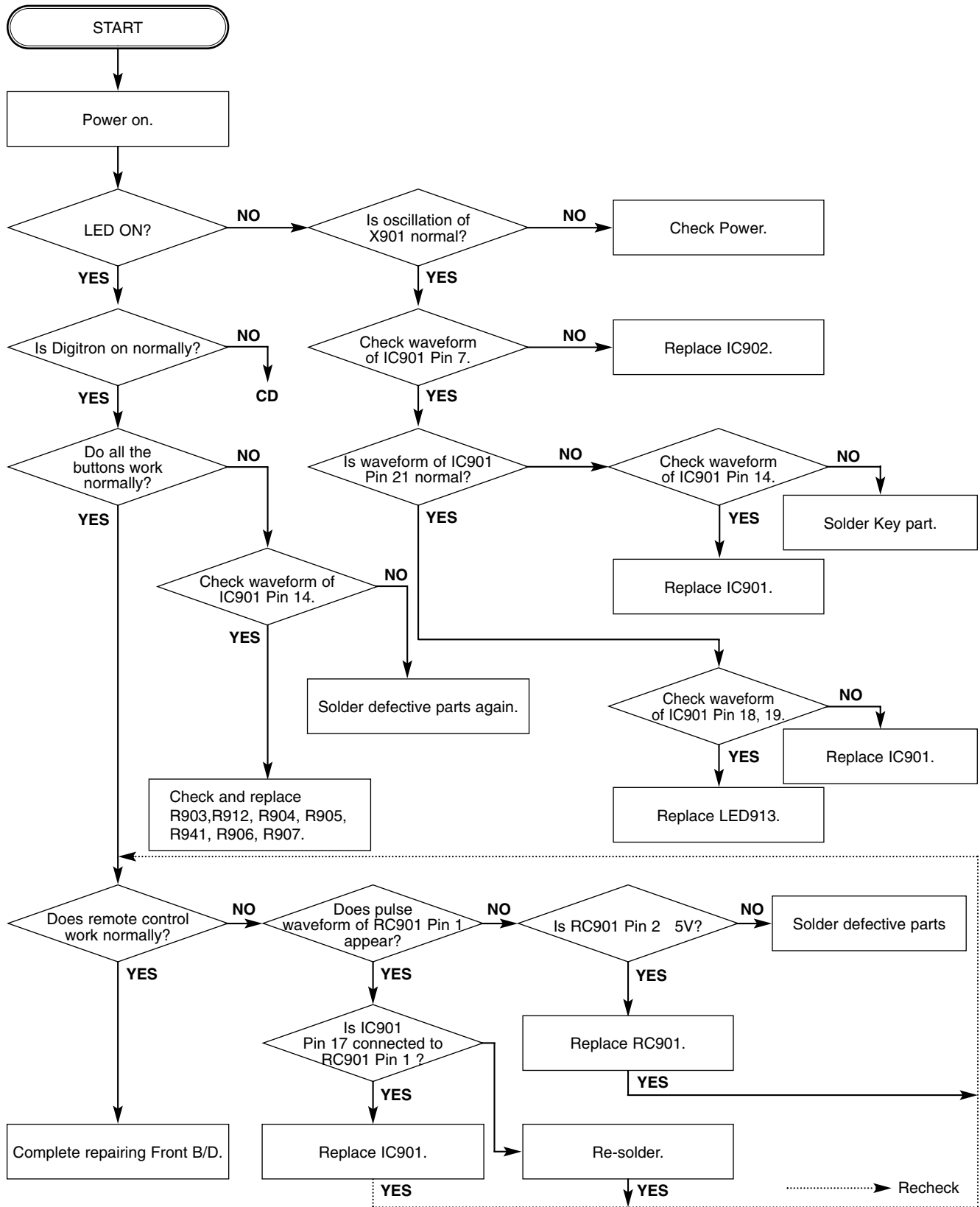
F. Disc Error



3. MPEG Circuit

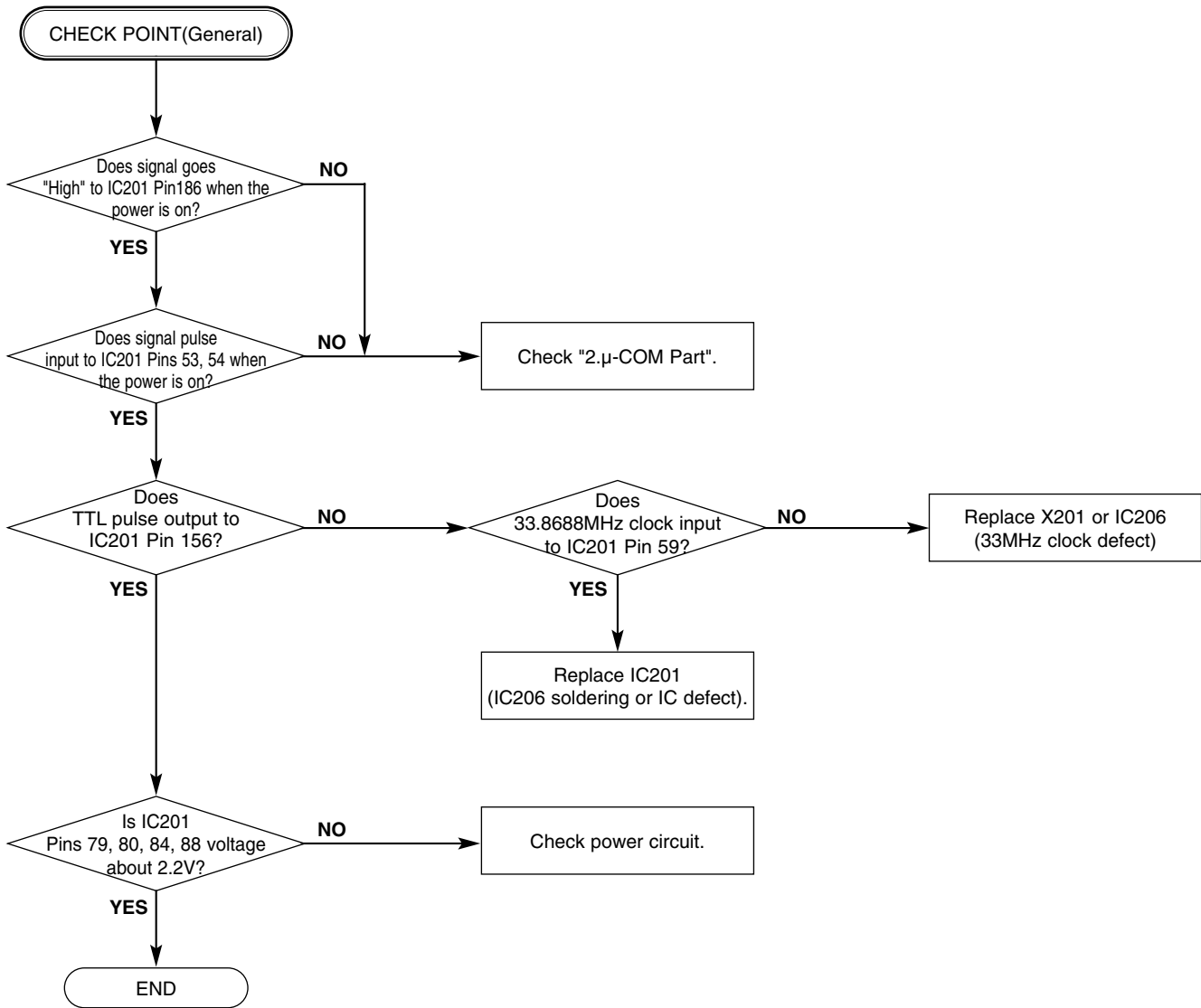


4. Front Circuit (Digitron & key)

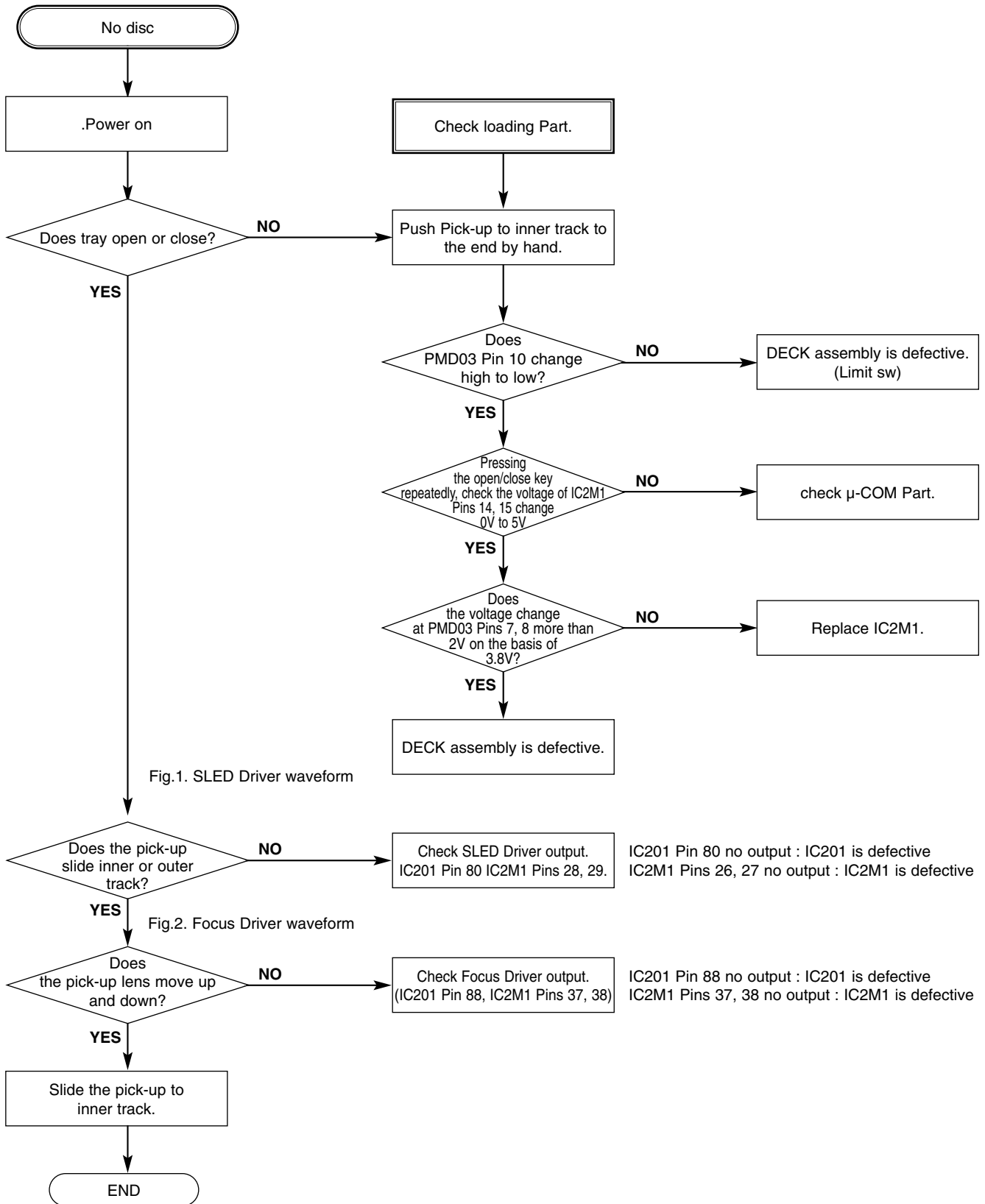


5. RF/Servo Circuit

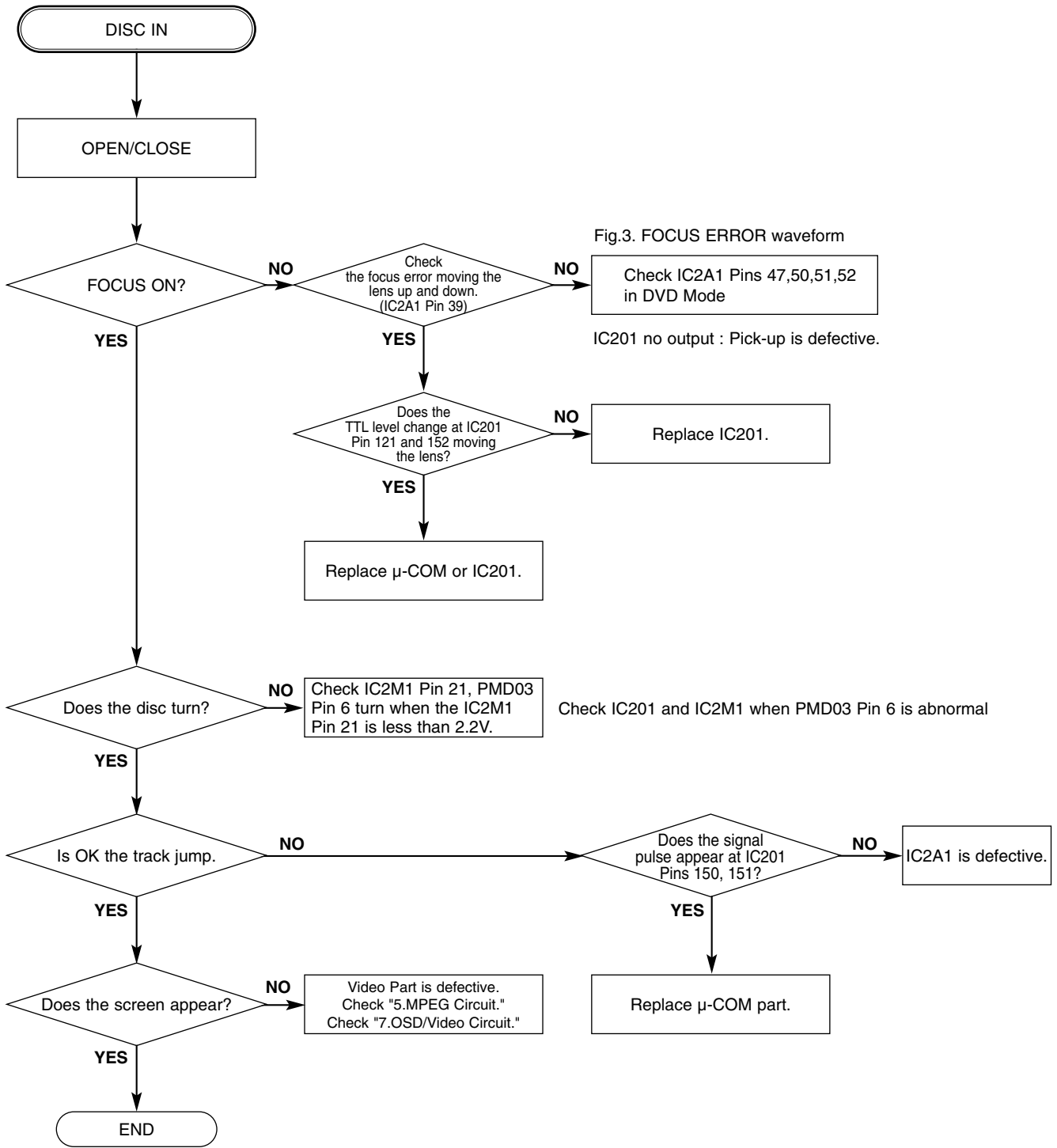
A.



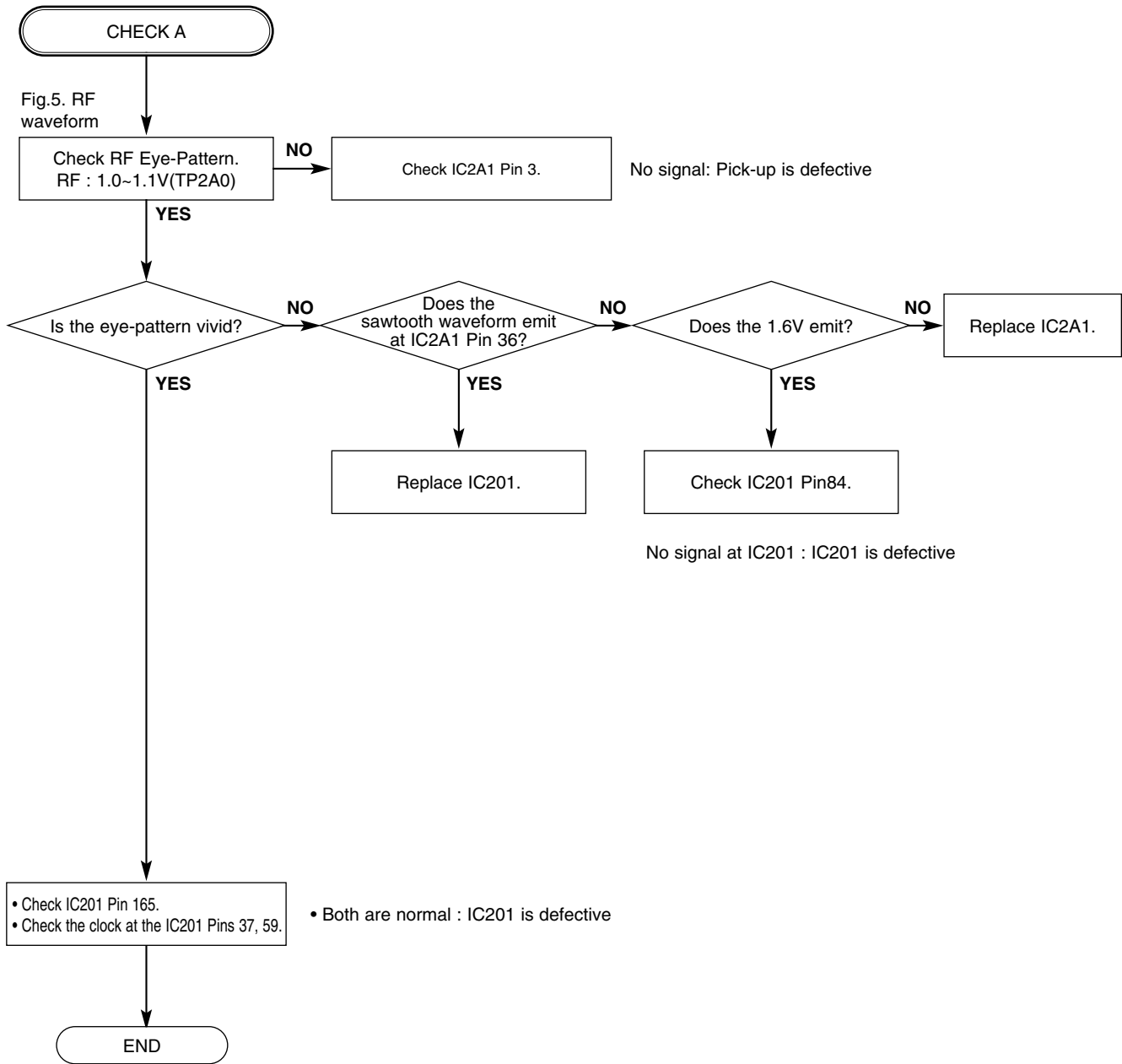
B.



C.

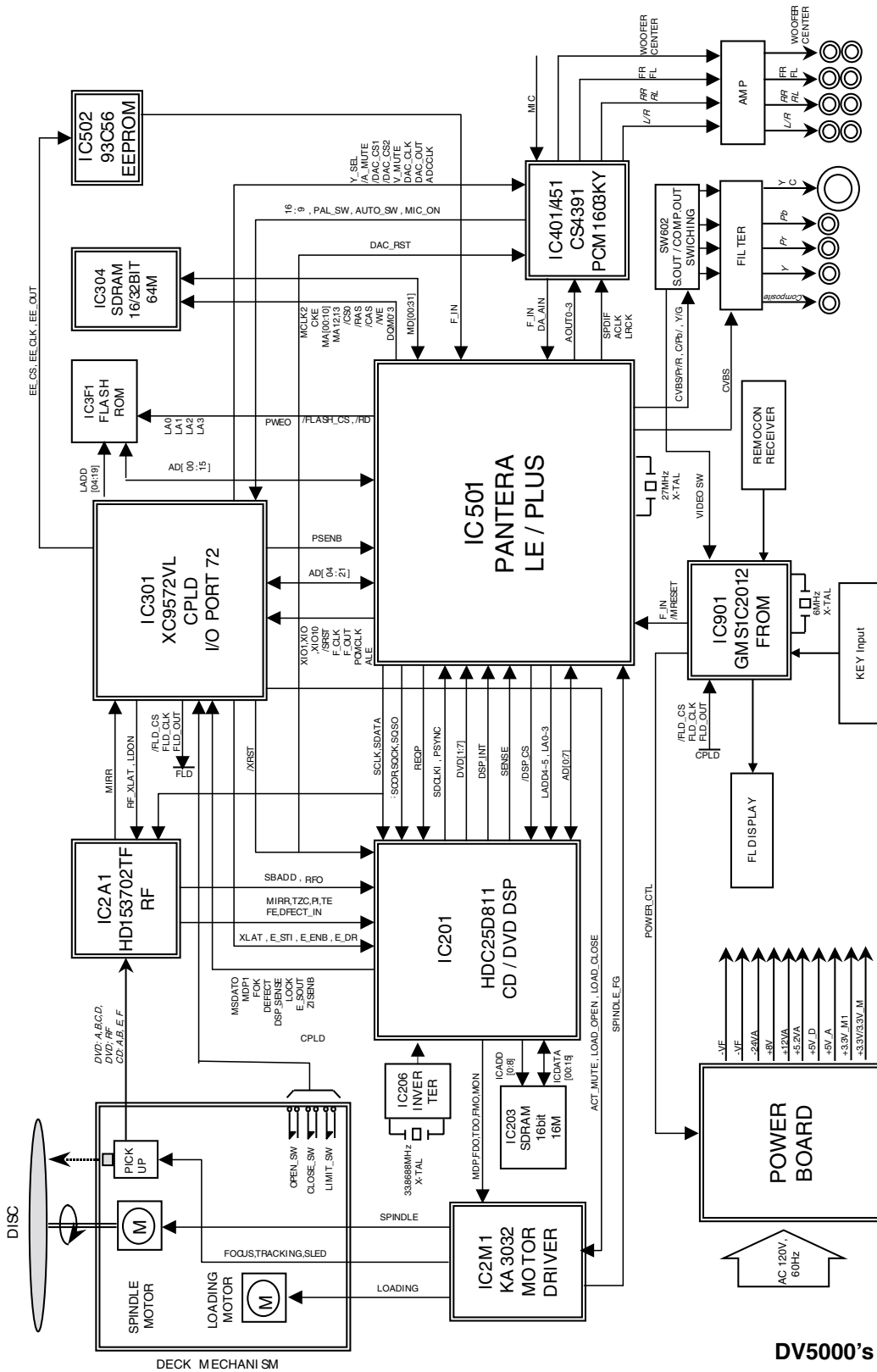


D.



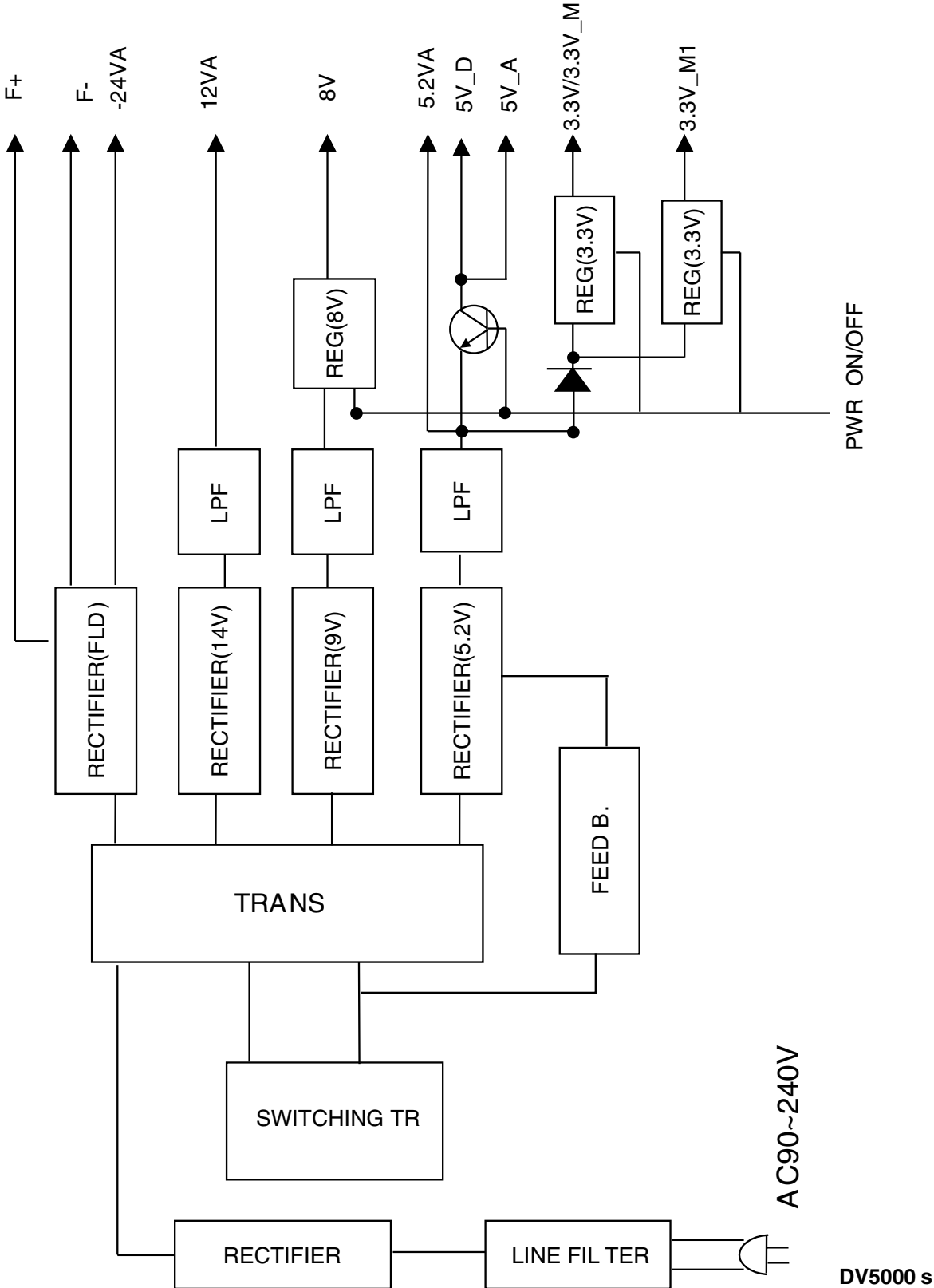
BLOCK DIAGRAMS

1. Overall Block Diagram

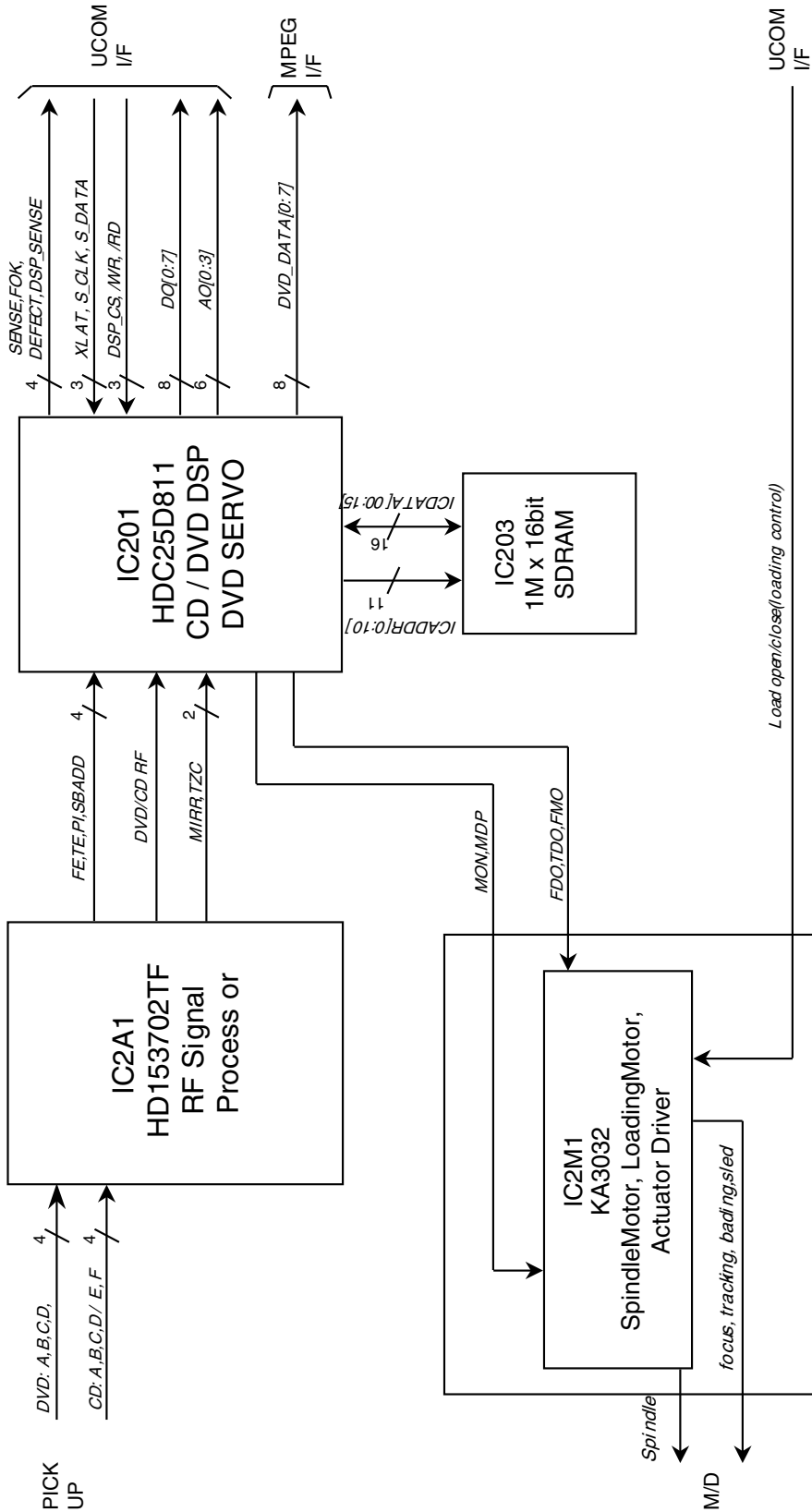


DV5000's

2. Power(SMPS) Block Diagram

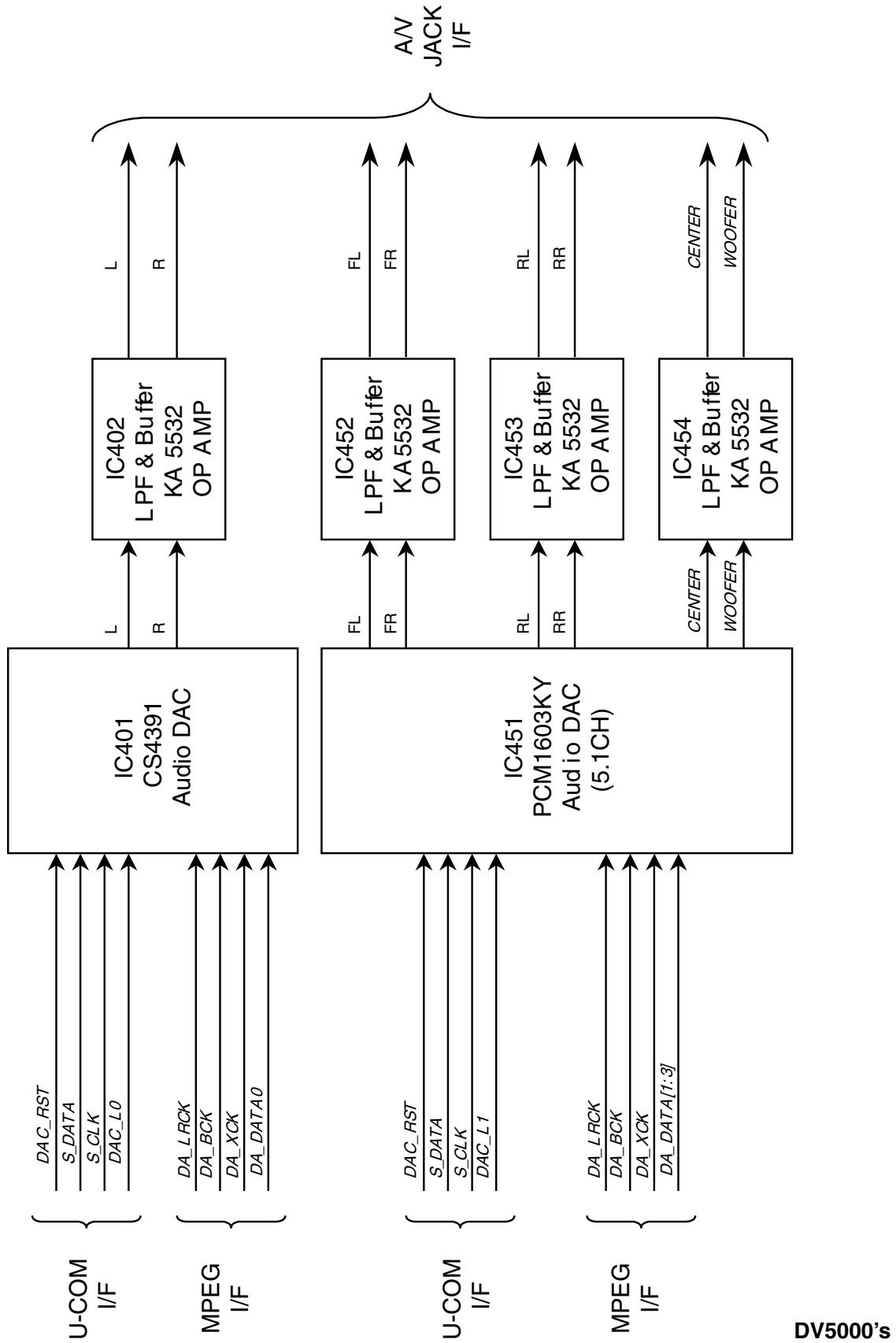


3. RF/CD DSP/DVD DSP/DVD SERVO Block Diagram

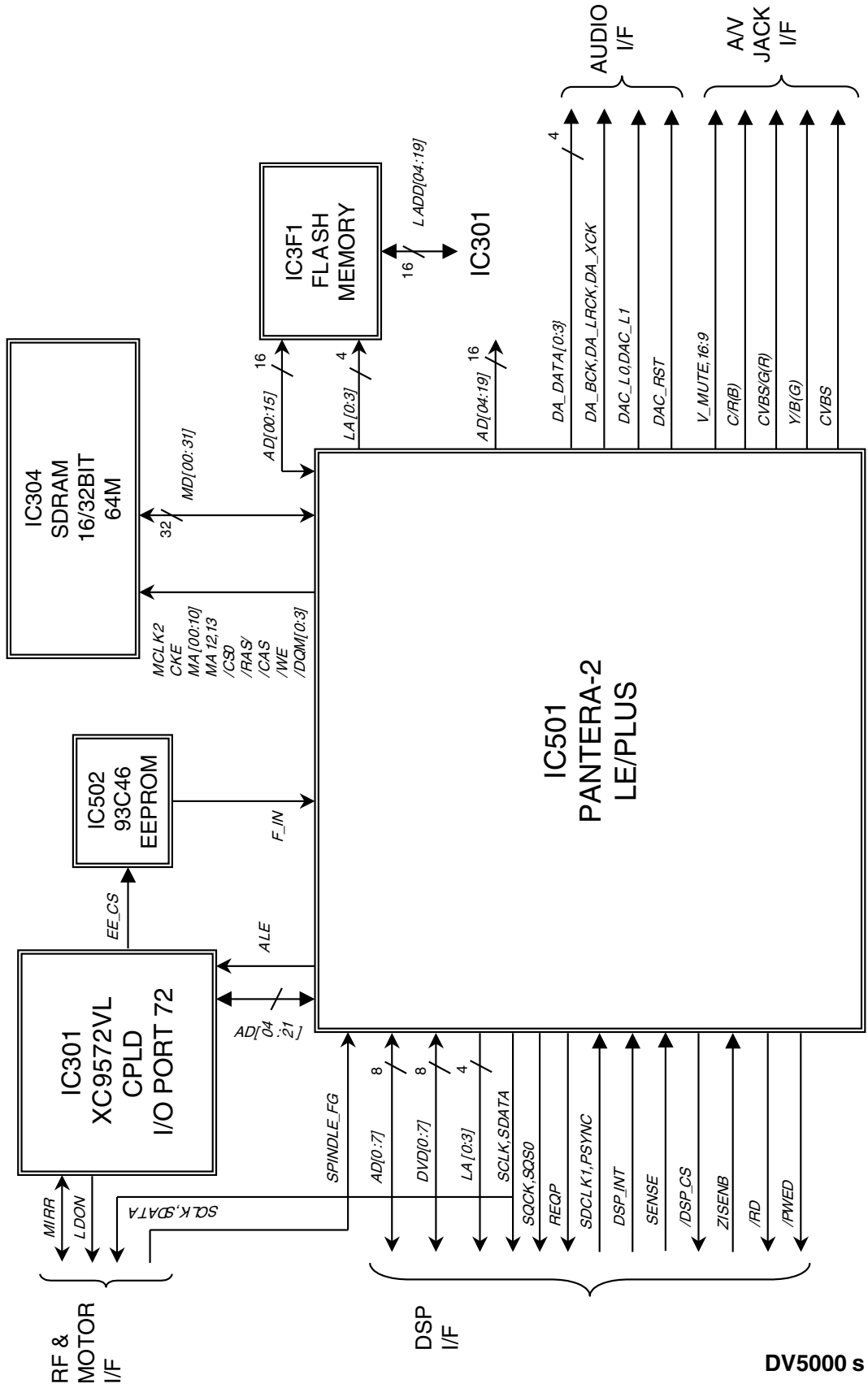


DV5000's

4. Audio Block Diagram



5. MPEG & MEMORY Block Diagram



DV5000 s

CIRCUIT DIAGRAM

1. POWER(SMPS) CIRCUIT DIAGRAM

IMPORTANT SAFETY NOTICE

WHEN SERVICING THIS CHASSIS, UNDER NO CIRCUMSTANCES SHOULD THE ORIGINAL DESIGN BE MODIFIED OR ALTERED WITHOUT PERMISSION FROM THE NAD ELECTRONICS CORPORATION. ALL COMPONENTS SHOULD BE REPLACED ONLY WITH TYPES IDENTICAL TO THOSE IN THE ORIGINAL CIR-

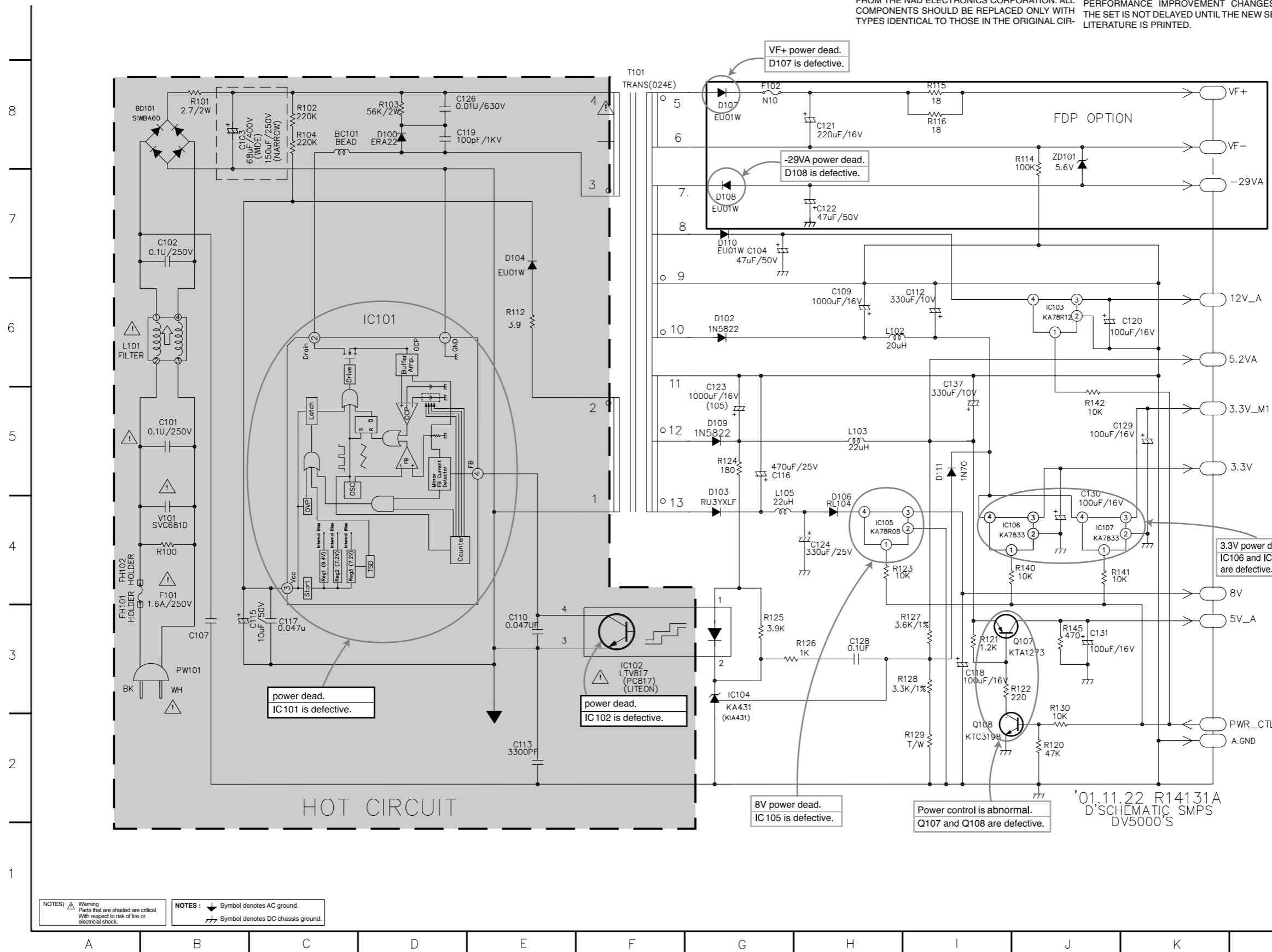
CUIT. SPECIAL COMPONENTS ARE SHADED ON THE SCHEMATIC FOR EASY IDENTIFICATION. THIS CIRCUIT DIAGRAM MAY OCCASIONALLY DIFFER FROM THE ACTUAL CIRCUIT USED. THIS WAY, IMPLEMENTATION OF THE LATEST SAFETY AND PERFORMANCE IMPROVEMENT CHANGES INTO THE SET IS NOT DELAYED UNTIL THE NEW SERVICE LITERATURE IS PRINTED.

NOTE :

1. Shaded(■) parts are critical for safety. Replace only with specified part number.
2. Voltages are DC-measured with a digital voltmeter during Play mode.

LOCATION GUIDE

BC101	C8	R129	I2
BD101	A8	R130	J3
C101	B5	R140	J4
C102	B7	R141	J4
C103	B8	R142	J5
C104	G7	R145	J3
C107	B3	T101	F8
C109	H6	V101	B4
C110	E3	VF+	K8
C112	I6	VF-	K8
C113	E2	ZD101	J8
C115	C3		
C116	G5		
C117	C3		
C118	I3		
C119	D8		
C120	K6		
C121	H8		
C122	H7		
C123	G5		
C124	H4		
C126	D8		
C128	H3		
C129	J5		
C130	J4		
C131	J3		
C137	I6		
D100	D8		
D102	G6		
D103	G5		
D104	E7		
D106	H4		
D107	G8		
D108	G7		
D109	G5		
D110	G7		
D111	I5		
F102	G8		
FH101	A3		
FH102	A4		
IC101	D6		
IC102	F3		
IC103	J6		
IC104	G3		
IC105	H4		
IC106	I4		
IC107	J4		
L101	A6		
L102	H6		
L103	H5		
L105	G5		
PW101	B3		
PWR_CTL1	L2		
Q107	J3		
Q108	I2		
R100	B4		
R101	B8		
R102	C8		
R103	D8		
R104	C8		
R112	E6		
R114	J8		
R115	I8		
R116	I8		
R120	J2		
R121	I3		
R122	J3		
R123	H4		
R124	G5		
R125	G3		
R126	H3		
R127	H3		
R128	H3		



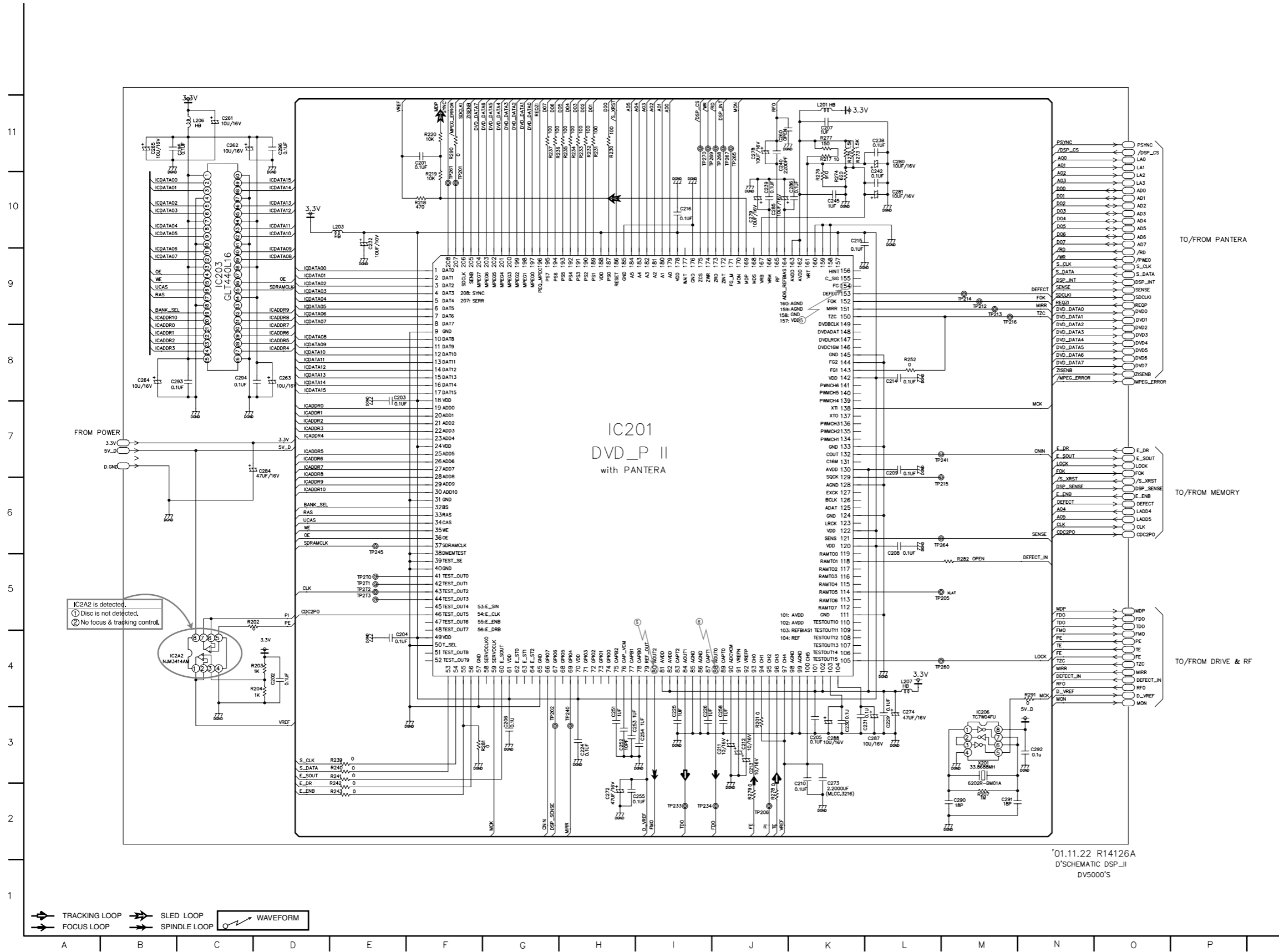
NOTES: ⚠ Warning Parts that are shaded are critical With respect to risk of fire or electrical shock.

NOTES: ⚡ Symbol denotes AC ground.

⚡ Symbol denotes DC chassis ground.

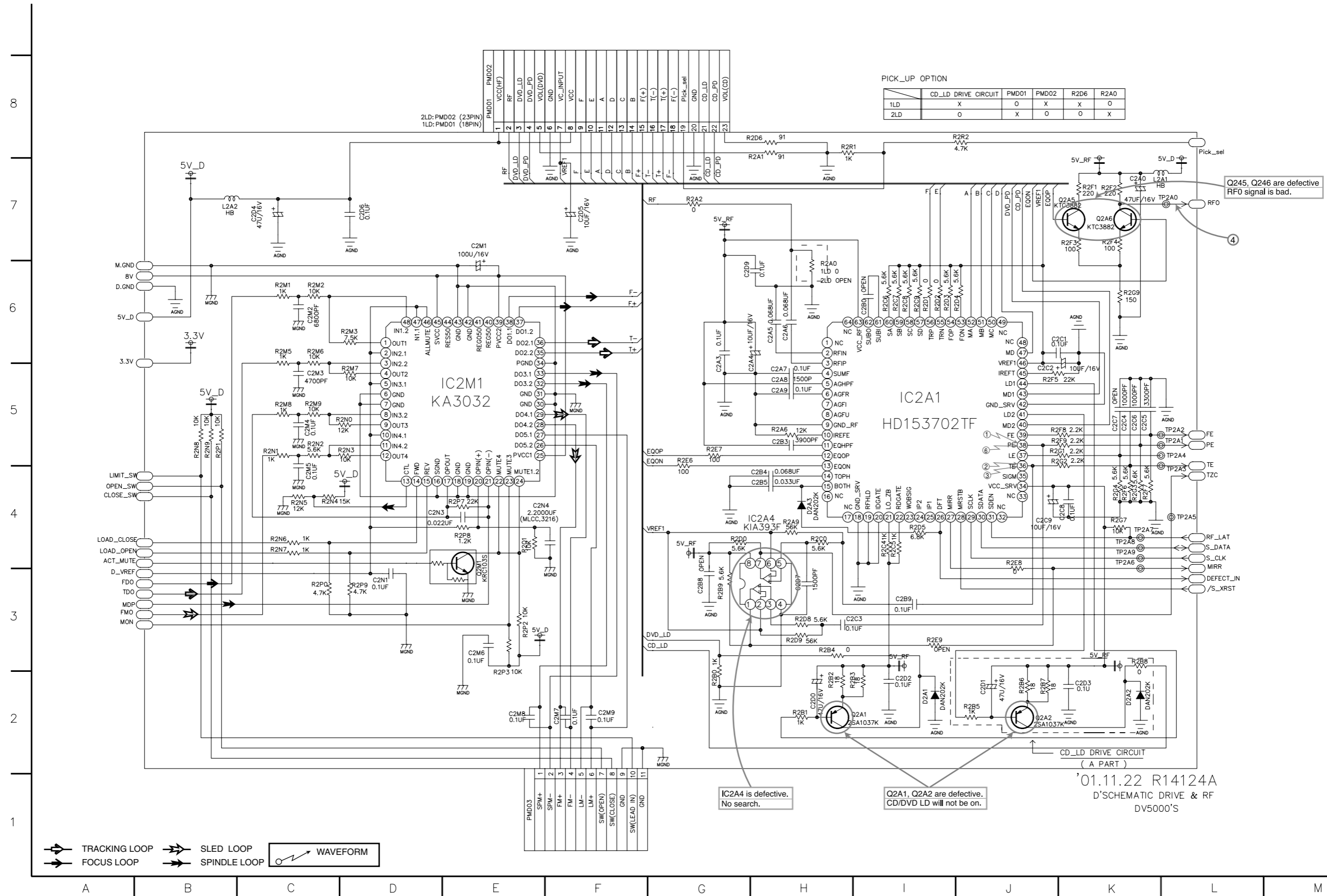
'01.11.22 R14131A
D'SCHEMATIC SMPS
DV5000'S

2. DVD DSP CIRCUIT DIAGRAM



'01.11.22 R14126A
D'SCHEMATIC DSP_II
DV5000'S

3. DRIVE & RF CIRCUIT DIAGRAM



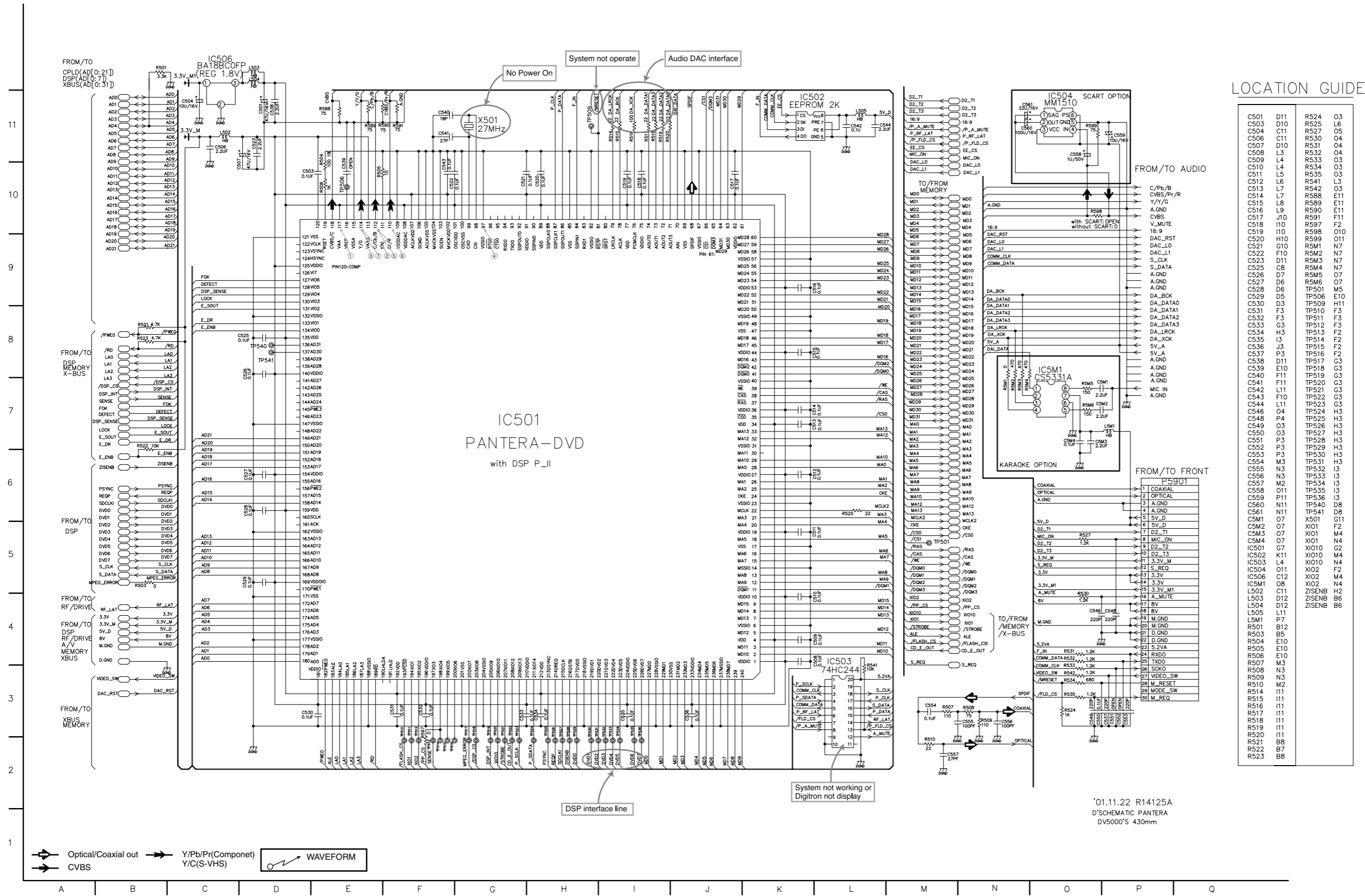
Q245, Q246 are defective
RF0 signal is bad.

IC2A4 is defective.
No search.

Q2A1, Q2A2 are defective.
CD/DVD LD will not be on.

'01.11.22 R14124A
D'SCHEMATIC DRIVE & RF
DV5000'S

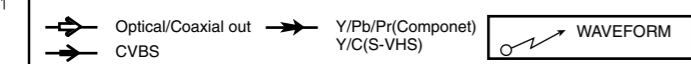
4. MPEG CIRCUIT DIAGRAM



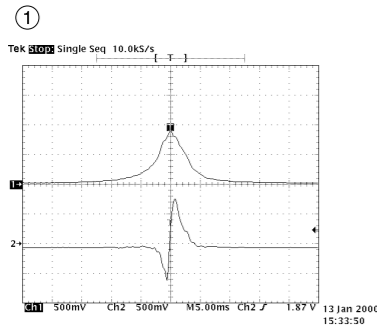
LOCATION GUIDE

C501	D11	R524	O3
C502	D10	R525	L6
C504	C11	R527	O5
C506	C11	R530	O4
C507	D10	R531	O4
C508	L3	R532	O4
C509	L4	R533	O3
C510	L4	R534	O3
C511	L5	R535	O3
C512	L6	R541	L3
C513	L7	R542	O3
C514	L7	R588	E11
C515	L8	R589	E11
C516	L9	R590	E11
C517	J10	R591	F11
C518	I01	R597	F2
C519	I10	R598	O10
C520	H10	R599	O11
C521	G10	R5M1	N7
C522	F10	R5M2	N7
C523	D11	R5M3	N7
C524	C8	R5M4	N7
C525	D7	R5M5	O7
C526	D6	R5M6	O7
C527	D6	TP501	M5
C528	D6	TP506	E10
C529	D5	TP509	H11
C530	D3	TP510	F3
C531	F3	TP511	F3
C532	F3	TP511	F3
C533	G3	TP512	F3
C534	H3	TP513	F2
C535	I3	TP514	F2
C536	J3	TP515	F2
C537	P3	TP516	F2
C538	D11	TP517	G3
C539	E10	TP518	G3
C540	F11	TP519	G3
C541	F11	TP520	G3
C542	L11	TP521	G3
C543	F10	TP522	G3
C544	L11	TP523	G3
C546	O4	TP524	H3
C548	P4	TP525	H3
C549	O3	TP526	H3
C550	O3	TP527	H3
C551	P3	TP528	H3
C552	P3	TP529	H3
C553	P3	TP530	H3
C554	M3	TP531	H3
C555	N3	TP532	I3
C556	N3	TP533	I3
C557	M2	TP534	I3
C558	O11	TP535	I3
C559	P11	TP536	I3
C560	N11	TP540	D8
C561	N11	TP541	D8
C5M1	O7	X501	F11
C5M2	O7	X101	G2
C5M3	O7	X101	M4
C5M4	O7	X101	N4
IC501	G7	X1010	G2
IC502	K11	X1010	M4
IC503	L4	X1010	N4
IC504	O11	X102	F2
IC506	C12	X102	M4
IC5M1	O8	X102	N4
L502	C11	ZISENB	H2
L503	D12	ZISENB	B6
L504	D12	ZISENB	B6
L505	L11		
L5M1	P7		
R501	B12		
R503	B5		
R504	E10		
R505	E10		
R506	E10		
R507	M3		
R508	N3		
R509	N3		
R510	M2		
R514	I11		
R515	I11		
R516	I11		
R517	I11		
R518	I11		
R519	I11		
R520	I11		
R521	B8		
R522	B7		
R523	B8		

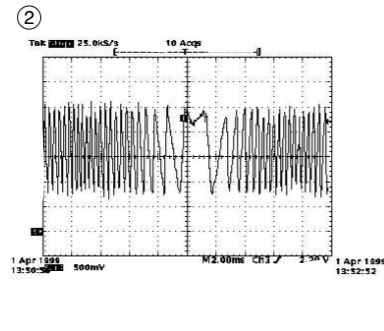
'01.11.22 R14125A
D'SCHEMATIC PANTERA
DV5000'S 430mm



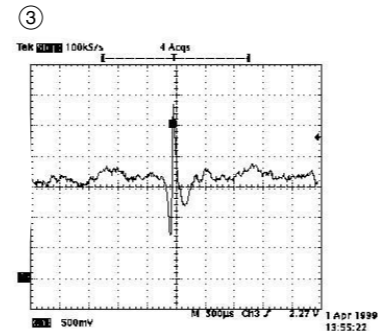
• WAVEFORMS



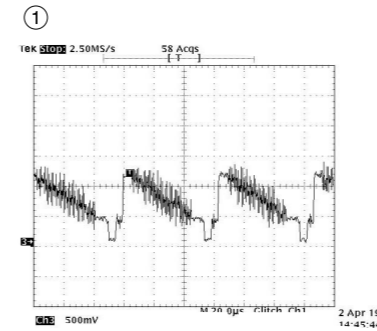
IC2A1 Pin 39, Focus Error
IC2A1 Pin 38, PE



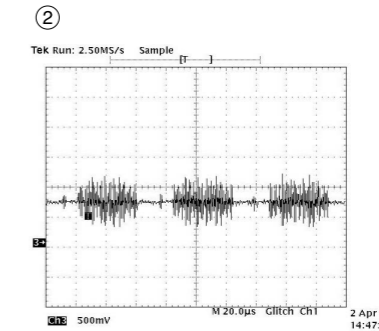
IC2A1 Pin 36
Tracking Error



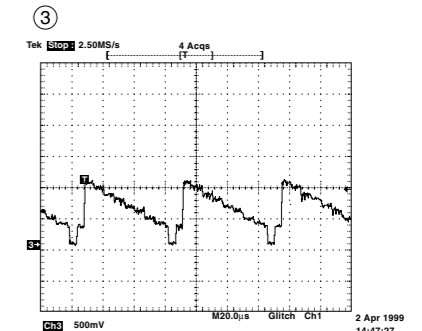
IC2A1 Pin 36
VBR TRACKING Error



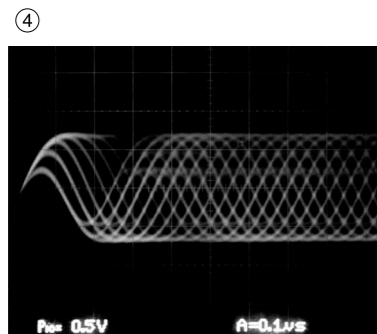
IC501 Pin 118, Composite



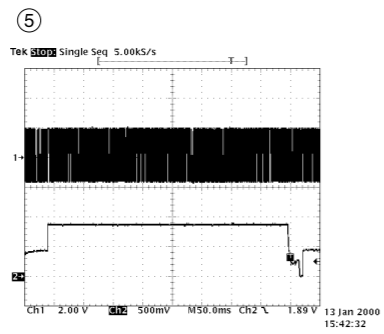
IC501 Pin 112, Chrominance
(Super video out Mode)



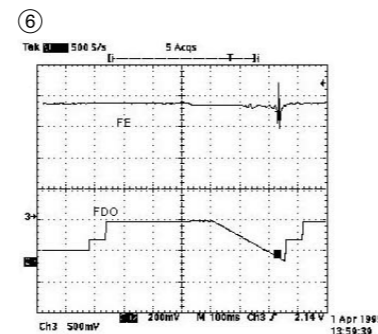
IC501 Pin 114, Luminance
(Super video out Mode)



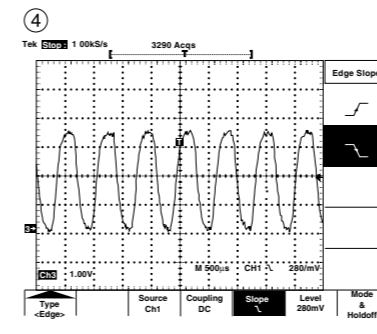
Q2A6 Collector output(TP2AO)
RF



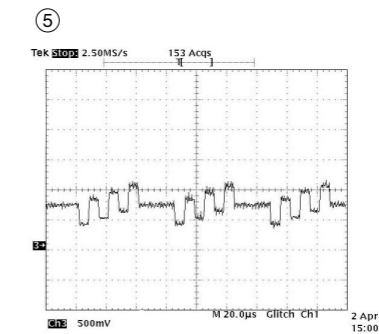
IC201 Pin 80, SLED FG
IC201 Pin 154, SLED FMO



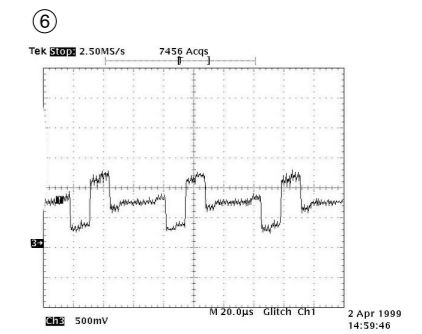
IC2A1 Pin39, Focus Error(in Focus Search)
IC201 Pin 88, Focus Drive(FDO)



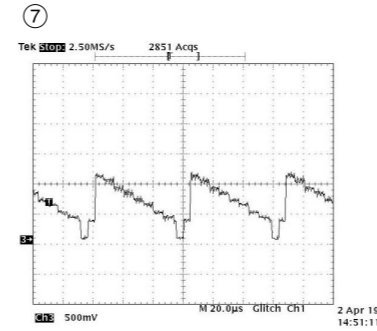
IC501 Pin 98,
MPEG Clock(27MHz)



IC501 Pin 112
Component Pb

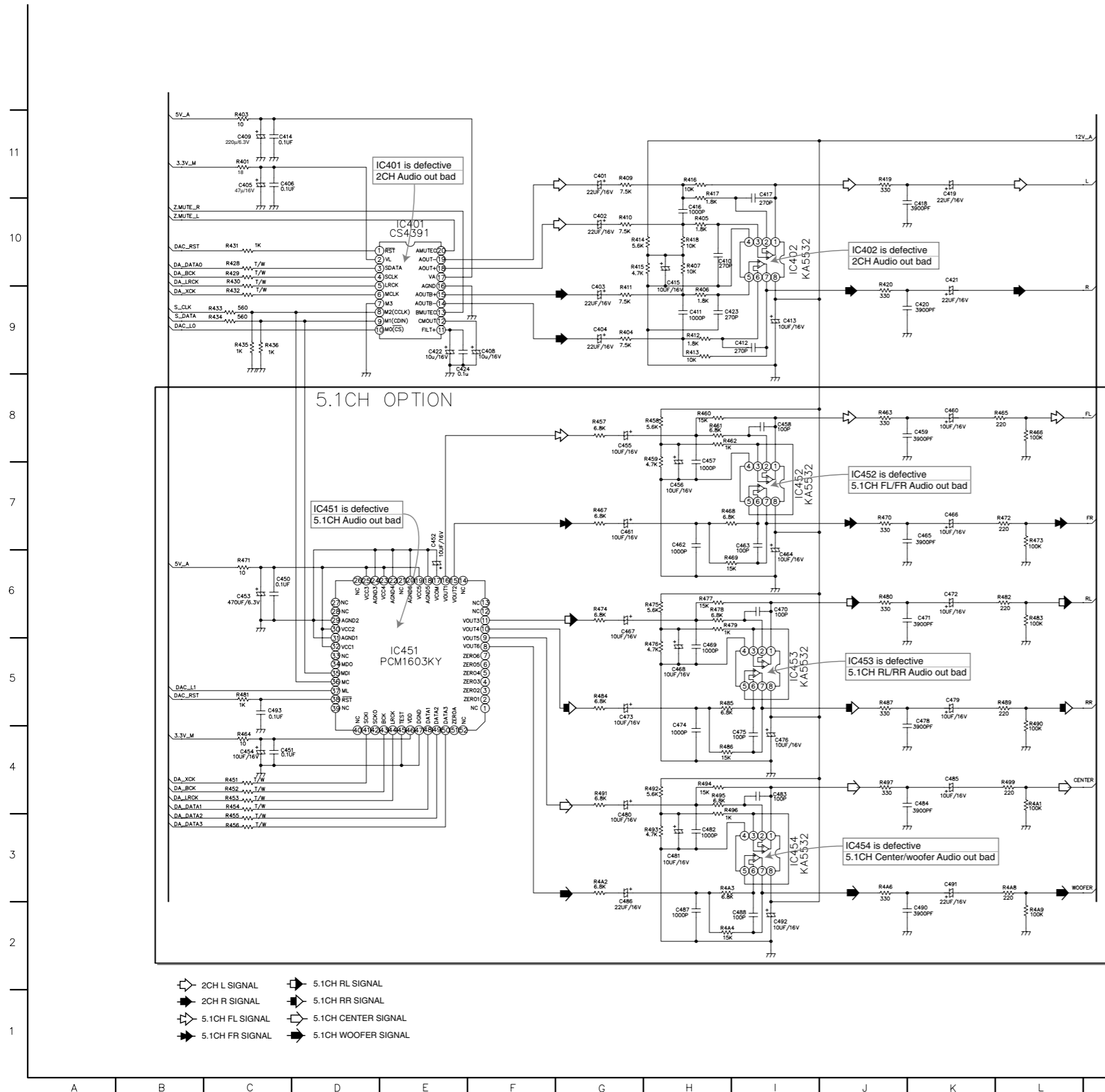


IC501 Pin 110
Component Pr



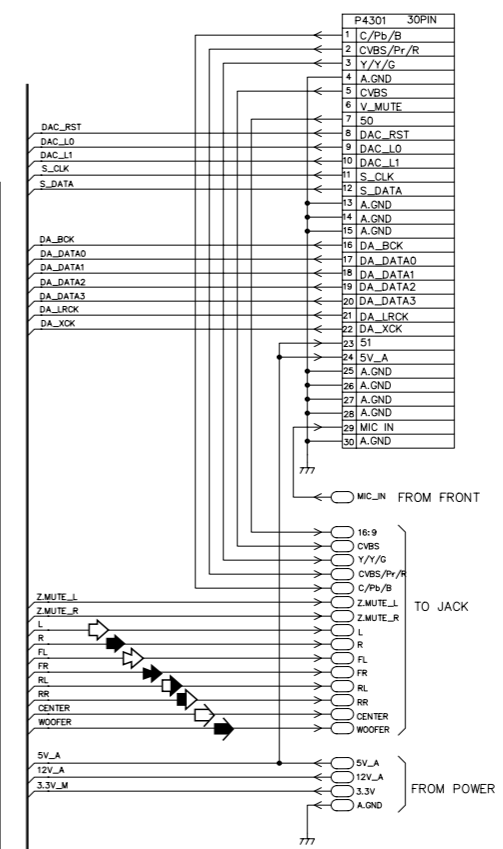
IC501 Pin 114
Component Y

5. AUDIO CIRCUIT DIAGRAM



LOCATION GUIDE

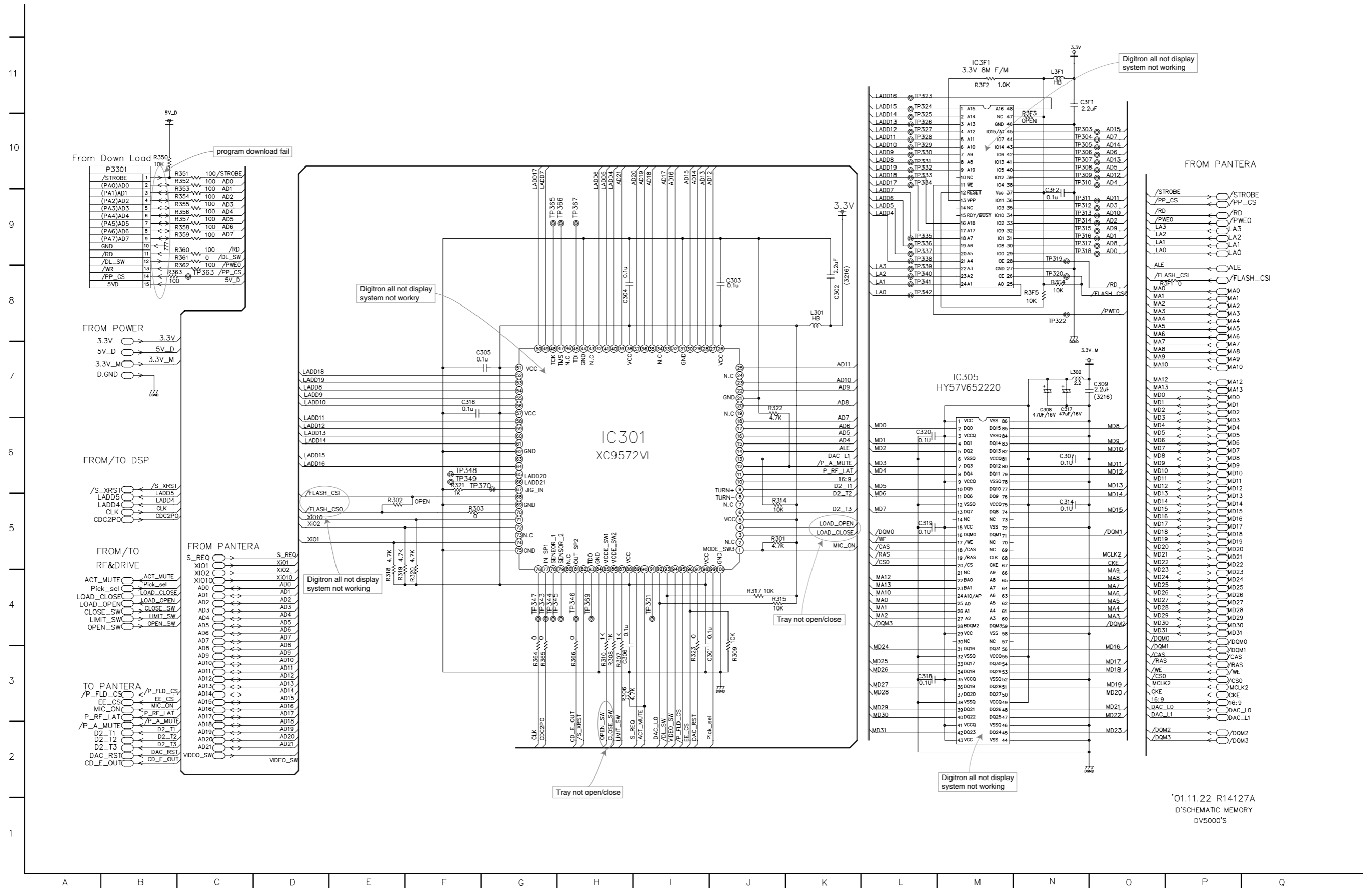
C401	G11	R412	H9
C402	G10	R413	H9
C403	G9	R414	G10
C404	G9	R415	G10
C405	C11	R416	H11
C406	C11	R417	H11
C408	F9	R418	H10
C409	C11	R419	J11
C410	H10	R420	J9
C411	H9	R428	C10
C412	I9	R429	C10
C413	I9	R430	C10
C414	C11	R431	C10
C415	H10	R432	C9
C416	H10	R433	C9
C417	I11	R434	C9
C418	K10	R435	C9
C419	K11	R436	C9
C420	K9	R451	C4
C421	K10	R452	C4
C422	E9	R453	C4
C423	H9	R454	C4
C424	E9	R455	C3
C450	C6	R456	C3
C451	C4	R457	G8
C452	E7	R458	H8
C453	C6	R459	H8
C454	C4	R460	H8
C455	G8	R461	H8
C456	H7	R462	H8
C457	H7	R463	J8
C458	I8	R464	C4
C459	K8	R465	K8
C460	K8	R466	L8
C461	G7	R467	G7
C462	H7	R468	H7
C463	I7	R469	H6
C464	I6	R470	J7
C465	K7	R471	C6
C466	K7	R472	L7
C467	G6	R473	L7
C468	H5	R474	G6
C469	H5	R475	H6
C470	I6	R476	H5
C471	K6	R477	H6
C472	K6	R478	H6
C473	G5	R479	H6
C474	H4	R480	J6
C475	I4	R481	C5
C476	I4	R482	L6
C478	K5	R483	L6
C479	K5	R484	G5
C480	G3	R485	H5
C481	H3	R486	H4
C482	H3	R487	J5
C483	I4	R489	L5
C484	K4	R490	L5
C485	K4	R491	G4
C486	G2	R492	H4
C487	H2	R493	H3
C488	I2	R494	H4
C490	K2	R495	H4
C491	K3	R496	H4
C492	I2	R497	J4
C493	C5	R499	L4
IC401	E10	R441	L4
IC402	I10	R442	G3
IC451	E5	R443	H3
IC452	I7	R444	H2
IC453	I5	R446	J3
IC454	I3	R448	L3
MIC_IN	O6	R449	L2
P4301	O9		
R401	C11		
R403	C11		
R404	G9		
R405	H10		
R406	H9		
R407	H10		
R409	G11		
R410	G10		
R411	G9		



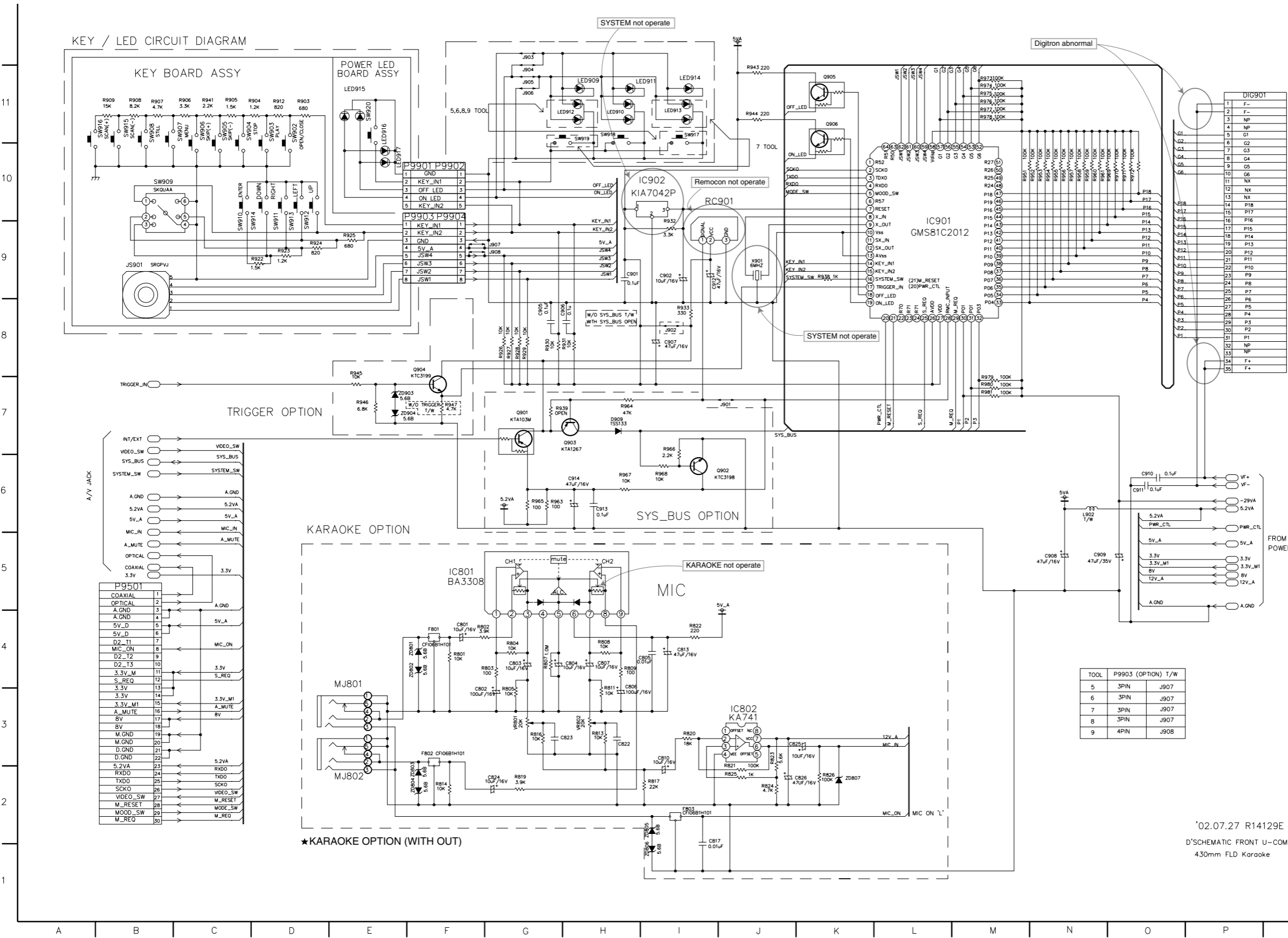
- ◀ 2CH L SIGNAL
- ◀ 2CH R SIGNAL
- ◀ 5.1CH FL SIGNAL
- ◀ 5.1CH FR SIGNAL
- ◀ 5.1CH RL SIGNAL
- ◀ 5.1CH RR SIGNAL
- ◀ 5.1CH CENTER SIGNAL
- ◀ 5.1CH WOOFER SIGNAL

'01.11.22 R14128A
D'SCHEMATIC AUDIO
DV5000'S 430mm

6. MEMORY CIRCUIT DIAGRAM



7. FRONT CIRCUIT DIAGRAM

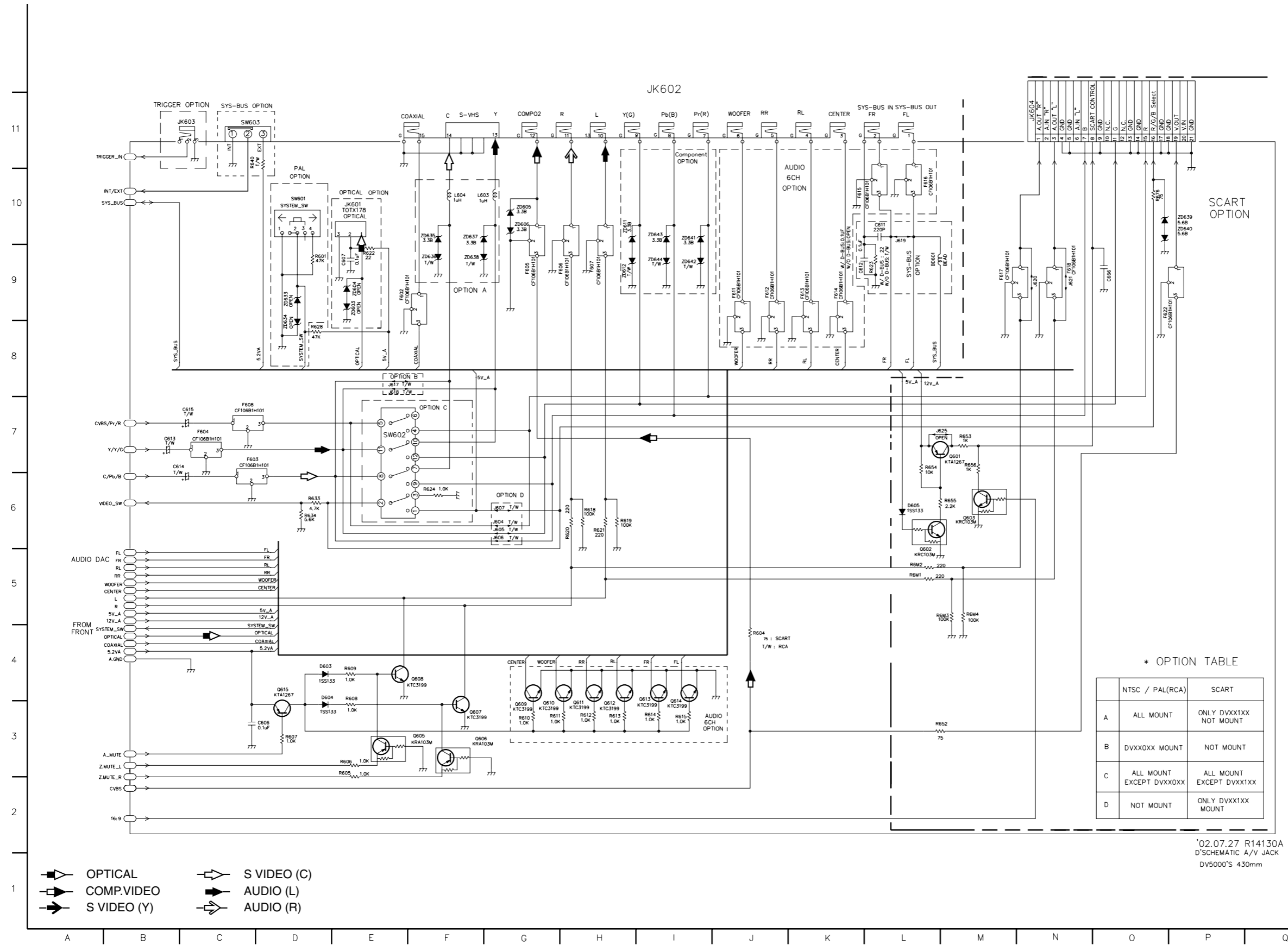


LOCATION GUIDE

C801	F4	R904	C11
C802	F3	R905	C11
C803	G4	R906	C11
C804	H4	R907	B11
C805	H4	R908	B11
C806	H3	R909	B11
C807	H4	R912	D11
C810	I3	R922	D9
C813	I4	R923	D9
C817	I2	R924	D9
C822	H3	R925	E9
C823	G3	R926	G8
C824	G2	R927	G8
C825	J2	R928	G8
C826	J2	R929	G8
C901	H9	R930	G8
C902	I9	R931	H8
C905	G8	R932	I9
C906	H8	R933	I8
C907	I8	R938	K9
C908	N5	R939	G7
C909	N5	R941	C11
C910	O6	R943	J11
C911	O6	R944	J11
C912	I9	R945	E8
C913	H6	R946	E7
C914	H6	R947	F7
D909	H7	R952	N10
DIG901	P11	R953	N10
F801	F4	R954	N10
F802	F3	R955	N10
F803	F2	R956	N10
IC802	J3	R957	N10
IC901	L9	R958	N10
IC902	H10	R959	N10
INT/EXT	B7	R960	N10
J901	J7	R961	N10
J902	I8	R963	G6
J903	C12	R964	H7
J904	G11	R965	G6
J905	C11	R966	I7
J906	C11	R967	H6
J907	G9	R968	I6
J908	G9	R969	O10
JS901	B9	R970	O10
JSW1	L11	R971	O10
JSW1	H9	R972	O10
JSW2	L11	R973	M11
JSW2	H9	R974	M11
JSW3	L11	R975	M11
JSW3	H9	R976	M11
JSW4	L11	R977	M11
JSW4	H9	R978	M11
L902	N6	R979	M7
LED909	H11	R980	M7
LED910	H11	R981	M7
LED911	H11	RC901	I10
LED912	G11	RXDO	C2
LED913	I11	RXDO	J10
LED914	I11	SKCO	C2
LED915	E11	SKCO	J10
LED916	E10	SW902	D11
LED917	E10	SW903	D11
MJ801	E4	SW904	C11
MJ802	E2	SW905	C11
P9501	B5	SW906	C11
P9901	E10	SW907	C11
P9902	F10	SW908	B11
P9903	E10	SW909	B10
P9904	F10	SW910	C9
Q901	G7	SW911	D9
Q902	I6	SW912	D9
Q903	H7	SW913	D9
Q904	F8	SW914	D9
Q905	K11	SW915	B11
Q906	K11	SW916	B11
R801	F4	SW917	I11
R802	F4	SW918	H11
R803	F4	SW919	H11
R804	G4	SW920	E11
R805	G3	VR801	G3
R807	G4	VR802	H3
R808	H4	X901	J9
R809	H4	ZD801	F4
R811	H3	ZD802	F4
R813	H3	ZD803	F2
R814	F2	ZD804	F2
R816	G3	ZD805	I2
R817	I2	ZD806	I1
R819	G2	ZD807	K2
R820	I3	ZD903	E7
R821	J2	ZD904	E7
R822	I4	J3	
R823	J2	J2	
R824	J2	J2	
R825	J2	J2	
R826	K2	K2	
R903	D11	D11	

'02.07.27 R14129E
D'SCHEMATIC FRONT U-COM
430mm FLD Karaoke

8. A/V JACK CIRCUIT DIAGRAM



LOCATION GUIDE

BD601	L9	R634	D6
C606	D3	R640	C11
C607	E9	R652	L3
C611	L10	R653	M7
C612	K9	R654	L7
C613	B7	R655	M6
C614	B7	R656	M7
C615	C7	R676	O10
C866	O9	RM1	L5
D603	D4	R6M2	L5
D604	D4	R6M3	L5
D605	L6	R6M4	M5
F602	E9	SW601	D10
F603	C7	SW602	E7
F604	C7	SW603	C11
F605	G9	ZD603	E9
F606	H9	ZD604	E9
F607	H9	ZD605	G10
F608	C7	ZD606	G10
F611	J9	ZD611	H10
F612	J9	ZD612	H9
F613	K9	ZD633	D9
F614	K9	ZD634	D8
F615	K10	ZD635	F10
F616	L10	ZD636	F9
F617	M9	ZD637	F10
F618	N9	ZD638	F9
F622	O9	ZD639	P10
J604	G6	ZD640	P10
J605	G6	ZD641	I10
J606	G6	ZD642	I9
J607	G6	ZD643	I10
J617	E8	ZD644	I9
J618	E8		
J619	L10		
J620	N9		
J621	N9		
J625	L7		
JK601	E10		
JK602	I11		
JK603	B11		
JK604	N11		
L603	F10		
L604	F10		
O601	M7		
O602	L5		
O603	M6		
O605	F3		
O606	F3		
O607	F3		
O608	F4		
O609	G3		
O610	G3		
O611	H3		
O612	H3		
O613	I4		
O614	I3		
O615	D4		
R601	D9		
R604	J4		
R605	E3		
R606	E3		
R607	D3		
R608	E4		
R609	E4		
R610	G3		
R611	G3		
R612	H3		
R613	H3		
R614	I3		
R615	I3		
R618	H6		
R619	H6		
RS20	H6		
R621	H6		
R622	E9		
R623	L9		
R624	F6		
R628	D8		
R633	D6		

* OPTION TABLE

	NTSC / PAL(RCA)	SCART
A	ALL MOUNT	ONLY DVXX1XX NOT MOUNT
B	DVXX0XX MOUNT	NOT MOUNT
C	ALL MOUNT EXCEPT DVXX0XX	ALL MOUNT EXCEPT DVXX1XX
D	NOT MOUNT	ONLY DVXX1XX MOUNT

'02.07.27 R14130A
D'SCHEMATIC A/V JACK
DV5000'S 430mm

• CIRCUIT VOLTAGE CHART

PIN	IC203		IC201		IC301		IC3F1		IC501		IC305		IC2A1		IC2M1	
	STOP	PLAY	STOP	PLAY	STOP	PLAY	STOP	PLAY	STOP	PLAY	STOP	PLAY	STOP	PLAY	STOP	PLAY
1	3.18	3.16	3.12	0	3.17	3.16	0	0	3.12	3.1	3.06	3.05	0	0	2.11	2.14
2	3.12	2.69	3.12	0	0	0	0	0	0	0.41	0.29	0.35	3.16	3.13	2.1	2.12
3	3.12	2.69	3.12	0	3.16	0	0	0	0	0.47	3.06	3.05	3.16	3.13	2.1	2.11
4	0	0	3.12	0	3.16	0	0	0	1.75	1.73	3.06	0.33	0.75	1.55	2.1	2.15
5	3.12	2.74	3.12	3.12	3.17	3.16	0	0	0	0.49	0	0	2.04	3.02	2.1	2.12
6	3.12	2.71	3.12	3.12	3.17	3.16	0	0	0	0	0	0	0	0	0	0
7	3.18	3.17	3.12	0	0	0	0	0	0	0.37	0	0.34	0	0	0	0
8	3.12	2.68	3.12	3.12	3.17	3.16	0	0	0	0.35	0.4	0	0	0.33	2.11	2.12
9	3.12	2.63	0	0	0	0	3.13	2.92	0	0.33	0	3.05	0	0	2.02	1.99
10	0	0	3.12	3.12	0	0	0	0	3.22	3.19	0.33	0	0.44	0	2.1	2.12
11	3.12	2.7	3.12	3.12	0	0	3.13	3.12	0	0	0.41	0	1.72	1.19	2.11	2.12
12	3.12	2.7	3.12	0	0	0	3.2	3.2	0	0	0	0	2.06	2.3	2.09	2.13
13	3.18	3.17	3.12	3.12	3.17	3.16	3.2	3.2	0	0	0	0.46	2.25	3.08	3.25	2.23
14	0	0	3.12	0	0	0	0	0	0	0	0	0	1.32	3.13	2.51	0
15	3.12	3.04	3.12	0	0	0	0	0	0	0.79	3.06	3.05	1.46	2.27	2.51	0
16	3.12	0	3.12	0	2.17	2.18	3.19	0	0	0.74	0	0	0	2.4	0	0
17	3.12	3.02	3.12	0	0.38	2.21	0	0	0	0	3.09	3.07	0	0	2.18	0
18	0	0	3.13	3.12	0.41	0.61	0	0	0	0.71	0	2.82	0	0	0	0
19	0	0	3.13	0	0	0	0	0	3.22	3.1	2.84	3.03	0	0	0	0
20	0	3.12	0	0	0	0	0	0	3.22	3.13	3.05	2.76	0	0	1.52	1.89
21	3.13	0	3.13	0	0	0	0	0	3.22	3.13	0	0	3.01	5.01	1.88	1.89
22	3.13	3.17	0	0	0	0	0	0	1.64	0	0	1.38	3.85	5.01	0	0
23	3.13	0	0	0	0	0	0	0	0	0	0.8	0.79	0	0	3.13	0
24	0	0	3.13	0	0	0	0	0	3.22	3.13	0	0	0	0	0	0
25	3.18	0	3.12	0	0	0	3.11	3.11	0	3.13	1.14	1.1	0	0	7.95	7.92
26	0	0	0	0	3.21	3.16	3.17	3.2	0	3.13	0.38	1.54	3.31	3.63	3.92	3.71
27	0	0	3.12	0	0	0	0	0	3.22	3.11	0	0	0	0	3.92	3.71
28	3.12	0	0	0	0	0	3.11	0	0	1.1	0	0	3.14	3.16	3.9	3.74
29	0	3.12	0	0	0	0	0.61	1.07	0	0	0	0.05	5.15	5.14	3.95	3.68
30	0	0	0	0	0	0	0	0	0	0	0	0	0	0	0	0
31	0	3.17	0	3.12	0	0	0.6	0	0	0	0	0	0	0	0	0
32	0	0	0	0	0	0	0	0	3.22	1.39	0	0	0	0	1.18	4.2
33	3.1	0	3.12	0	0	0	0.59	0	3.22	0.8	0	0	0	0	1.18	3.43
34	3.18	0	3.12	0	0	0	0	0	1.75	1.52	0.34	0	5.03	4.99	0	0
35	1.5	0	3.12	0	0	0	0.61	0	3.22	2.76	3.03	3.05	2.29	2.34	3.92	3.75
36	0	3.12	0	0	0	0	0	0	3.22	3.11	0	0.34	2.2	2.3	3.93	3.73
37	0	0	1.51	0	0	0	3.18	0	3.22	3.03	0	0	2.2	2.2	3.92	3.73
38	3.18	0	0	0	3.17	3.16	0	0	3.22	2.83	0	0	2.29	2.26	3.92	3.68
39	3.12	3.12	0	0	0	0	0	0	3.22	3.08	0.56	0	2.24	2.24	7.95	7.94
40	3.12	3.12	0	0	0	0	2.17	0	0	0	0.56	0	0	0	7.91	7.87
41	0	3.17	0	0	0	0	0	0	0	0	0	3.05	5.03	5.01	0	0
42	3.12	0	0	0	0	0.38	2.28	0	0	0	3.03	0.45	0	0	0	0
43	3.12	0	0	0	0	0	0	0	0	0.34	3.03	3.05	0	0	0	0
44	3.18	0	0	0	0	0	0.41	0.65	3.22	3.11	0	0	5.03	1.59	0	0
45	3.12	3.12	0	0	3.17	3.15	0	0	0.45	0.33	0	0.44	2.3	2.3	7.95	7.94
46	2.76	3.12	1.56	0	0	0	0	0	0	0	0	0	2.3	2.3	2.11	2.12
47	0	0	0.91	0	3.17	3.15	0	0	0	0	0.38	0	1.74	2.3	2.1	2.12
48	3.12		1.65	0	2.19	0	0	0	0	0	0	0	0	0	2.11	2.12
49	3.12		3.14	0.53	0	0			0	0	3.03	0	0	0		
50	0		0	0	0	0			0.43	0.39	0.36	3.05	2.3	2.3		
51			0.64	0	3.17	0			0.42	0.45	0	0.34	2.3	2.3		
52			0.43	0	3.17	3.19			0.43	0.35	0	0	2.3	2.3		
53			0	0	3.11	2.91			3.12	3.11	0	0	2.3	2.3		
54			2.58	0	0	0			0	0	0.41	0	2.3	2.3		
55			0	0	0	0			0	0.33	3.03	3.05	2.3	2.3		
56			3.11	0	0	0			0.39	0.36	0	0.34	2.3	2.3		
57			0	0	3.17	3.19			0	0	0	0	2.3	2.3		
58			1.65	0	0	0			0	0	0	0	2.3	2.3		
59			1.79	0	0	0			0	0.42	0	0	2.29	2.3		
60			0	0	0	0			0.44	0.4	0	0.79	2.29	2.3		
61			3.13	0	0	0			0.44	0.47	0	0.79	0.36	0.56		
62			0	0	0	0			3.12	3.11	0	2.26	0.37	0.62		
63			3.13	0	0	0			0.45	0.35	0	0.74	5.03	5.02		
64			0	0	0	0			0	0	0	0.78	0	0		
65			0	0	0	0			0	0	0	0	0	0		
66			3.12	0	0	0			0	0	0	0	0	0		
67			0	0	0	0			0	0.31	3.11	3.1				
68			3.13	3.12	3.11	3.1			1.51	0	1.6	1.59				
69			4.08	0	0	0			0	1.5	0	0				
70			3.13	0	0	3.16			1.47	0	0	0				
71			0	0	3.11	3.1			0	0	0	0				
72			3.13	3.13	0	0			0	0	0	0				
73			0	0	0	0			0	0	0	0				
74			0	0	3.11	3.1			0	0	0	0.45				
75			0.78	0	0	0			3.12	3.11	3.04	3.05				
76			1.41	0	0	0			1.48	1.26	0	0				
77			0.77	0	0	0			1.74	1.74	0	0				
78			0.77	0	0	0			1.54	1.54	0	0				
79			2.1	2.11	3.17	0			1.56	1.55	0	0				
80			2.12	2.11	0	0			3.11	3.1	0	0.34				
81			3.18	0	3.17	0			3.01	3.01	1.69	0				

PIN	IC203		IC201		IC301		IC3F1		IC501		IC305		IC2A1		IC2M1	
	STOP	PLAY	STOP	PLAY	STOP	PLAY	STOP	PLAY	STOP	PLAY	STOP	PLAY	STOP	PLAY	STOP	PLAY
82			3.18	0	3.17	3.19			0	0	0	0				
83			1.93	1.93	2.12	2.27			0	0.33	0	0				
84			2.11	2.11	0	0			1.74	5.12	0	0				
85			0	0	4.41	4.41			0	0	0	0.33				
86			0	0	0	0			0	0	0	0				
87			1.93	0	0	0			1.42	3.11						
88			2.1	0	3.17	3.19			1.87	3.11						
89			1.93	1.92	2.66	0			1.67	1.74						
90			1.59	0	0	3.17			0	0						
91			0.8	0	3.19	0			3.11	3.11						
92			2.36	2.36	3.19	3.19			0	3.11						
93			2.24	1.6	3.19	3.19			3.11	3.11						
94			1.58	1.56	0	0			0	0.34						
95			1.64	1.62	3.13	3.13			0	0.34						
96			1.58	1.62	0	0			2.82	3.11						
97			1.58	1.56	3.19	3.19			0	0						
98			0	0	3.19	3.19			0.85	0.92						
99			0	0	0.36	0.36			0.89	0.93						
100			1.58	0	0	0			0	0						
101			3.18	0					1.79	1.74						
102			3.18	0			</									

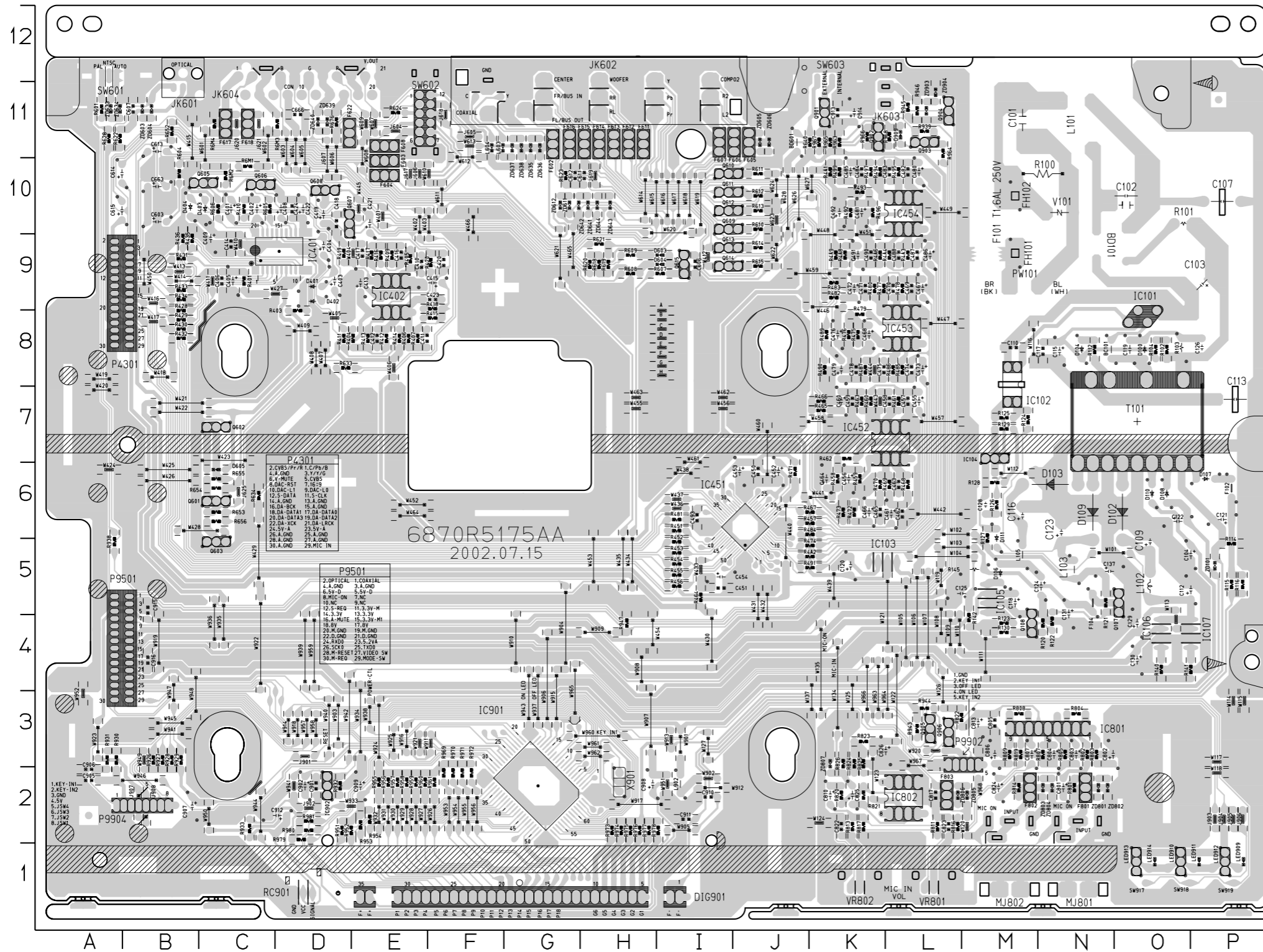
PIN	IC901		IC451		IC401		IC454		IC453		IC452		IC402		IC801	
	STOP	PLAY	STOP	PLAY	STOP	PLAY	STOP	PLAY	STOP	PLAY	STOP	PLAY	STOP	PLAY	STOP	PLAY
1	0	0	0	0	2.98	2.98	5.51	5.51	5.41	5.42	5.49	0	5.47	5.47	1.83	1.81
2	5.1	5.05	3.15	3.15	3.26	3.26	5.51	5.51	5.41	5.42	5.49	5.51	5.47	5.47	0	0
3	0	0	3.15	3.15	0	0	5.51	5.51	5.41	5.41	5.49	5.51	5.47	5.47	1.83	1.81
4	5.14	5.14	3.15	3.14	1.57	0	0	0	0	0	0	0	0	0	0	0
5	0.48	0	3.15	3.15	1.58	1.58	5.51	5.51	5.41	5.41	5.49	5.51	5.47	5.47	0	0
6	0.48	0	3.15	3.15	1.3	0	5.51	5.51	5.41	5.42	5.49	5.51	5.47	5.47	4.59	4.57
7	5.17	5.17	3.15	3.15	0	0	5.51	5.51	5.41	5.41	5.49	0	5.47	5.47	1.84	1.82
8	2.22	2.21	2.43	2.42	3.24	3.24	11.95	11.95	11.95	11.95	11.95	11.95	11.95	11.95	0	0
9	2.35	2.35	2.48	2.46	0	0									1.84	1.82
10	0	0	2.43	2.42	3.2	3.19										
11	2.26	2.24	2.48	0	4.85	4.84										
12	2.46	2.45	0	0	2.31	0										
13	0	0	0	0	2.35	0										
14	5.17	5.16	0	0	2.35	0										
15	5.17	5.16	2.43	2.43	0	0										
16	5.1	5.06	2.47	3.14	0	0										
17	0	0	2.45	0	4.91	0										
18	0	0	0	0	2.34	2.34										
19	5.16	5.16	4.91	4.88	2.34	2.33										
20	5.14	5.14	0	0	0	0										
21	5.01	5.02	0	0												
22	0	0	0	0												
23	0	0	4.91	0												
24	0	0	0	0												
25	2.68	2.68	4.9	4.88												
26	5.17	5.17	0	0												
27	5.17	5.17	0	0												
28	4.77	4.87	0	0												
29	5.07	5.06	0	0												
30	21.58	18	4.91	4.88												
31	23.58	18	0	0												
32	23.6	23	4.91	4.88												
33	27.54	21.21	0	0												
34	23.6	17.18	0.36	0												
35	23.6	22.91	0	0												
36	21.6	19.14	3.24	3.23												
37	21.61	25.01	3.19	3.19												
38	23.65	23.06	2.93	3.92												
39	23.65	23.09	0	0												
40	23.57	23.08	0	0												
41	25.6	23.07	1.3	1.31												
42	25.6	25.03	1.48	1.47												
43	25.6	25.03	1.57	0												
44	25.6	23.07	1.58	1.58												
45	27.6	25.07	0	0												
46	27.6	21.16	3.15	3.15												
47	27.5	25.11	0	0												
48	27.5	24.76	0	0												
49	27.5	27.86	0	0												
50	27.5	26.88	0	0												
51	6.73	6.69	3.15	3.14												
52	25.7	25.13	0	0												
53	25.6	25.08														
54	25.6	25.16														
55	25.6	25.15														
56	25.6	25.08														
57	25.6	25.13														
58	27.7	27.08														
59	5.16	5.15														
60	5.16	5.16														
61	5.16	5.16														
62	5.16	5.16														
63	0	0														
64	0	0														

PIN	IC503		IC502		IC2A4		IC2A2		IC206		IC504		IC506	
	STOP	PLAY	STOP	PLAY	STOP	PLAY	STOP	PLAY	STOP	PLAY	STOP	PLAY	STOP	PLAY
1	0	0	0	0	4.87	4.39	1.57	1.56	2.63	2.64	2.11	2.19	(IN)0	0
2	3.1	3.1	5.03	5.03	2.3	2.31	1.57	1.56	2.74	0	5.05	5.05	(OUT)1.80	0
3	5.03	5.03	0	0	2.29	2.29	1.57	0	2.74	2.76	2.37	2.44		
4	0	0	5.1	5.1	0	0	0	0	0	0	0	0		
5	0	0	0	0	2.29	2.29	1.62	1.62	1.92	1.88				
6	0	0	5.04	5.04	2.3	2.31	1.62	1.62	2.28	0				
7	5.05	5.05	0	0	2.51	2.45	1.62	1.62	2.28	0				
8	0	3.15	5.03	5.04	5.02	5.02	5.04	4.99	5.04	0				
9	0	0												
10	0	0												
11	0	0.46												
12	0	0.15												
13	3.11	3.1												
14	0	0												
15	0	0												
16	0	0												
17	3.09	3.09												
18	5.15	5.14												
19	0	0												
20	5.15	5.15												

	Q2M1		Q2A1		Q2A6		Q2A5		Q2A2	
	STOP	PLAY	STOP	PLAY	STOP	PLAY	STOP	PLAY	STOP	PLAY
E	0	0	5.02	0	0	2.41	2.34	2.35	5.02	4.95
B	0	0	0	0	3.62	3.72	3.82	0	0	0
C	0	3.14	0	0	0	3.1	0	0	5.01	4.94

PIN	Q610		Q611		Q609		Q613		Q614		Q612	
	STOP	PLAY	STOP	PLAY	STOP	PLAY	STOP	PLAY	STOP	PLAY	STOP	PLAY
Emitter	0	0	0	0	0	0	0	0	0	0	0	0
Collector	0	0	0	0	0	0	0	0	0	0	0	0
Base	0.77	0.78	0.77	0.77	0.76	0.77	0.76	0.77	0.77	0.77	0.76	0.79

2. POWER, A/V, FRONT P.C.BOARD

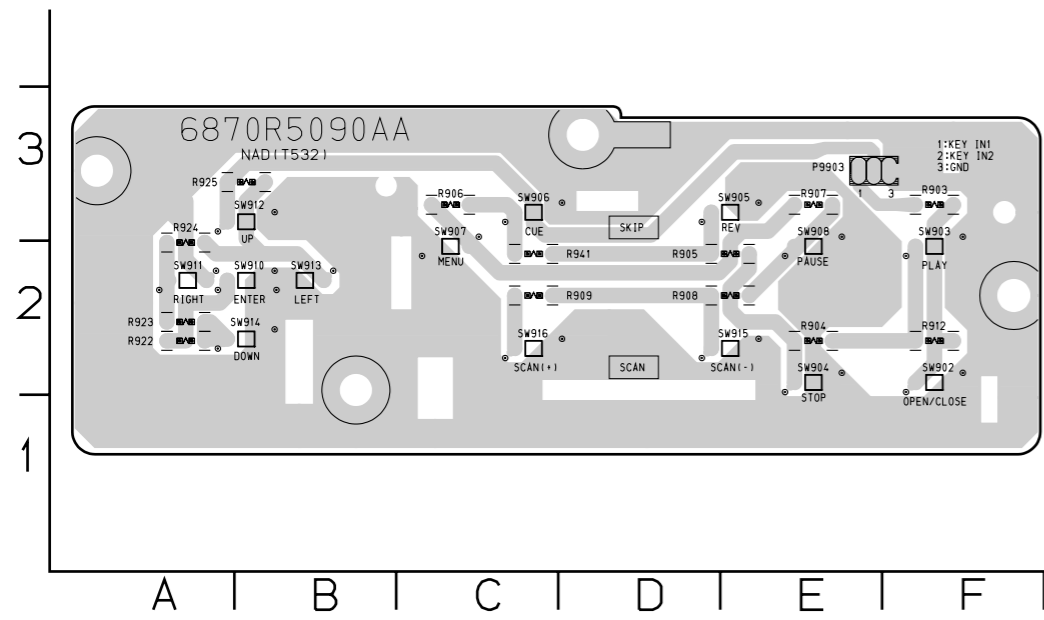


LOCATION GUIDE

BC101	N8	C470	L9	D402	D9	L604	F11	R414	E8	R605	C10	R955	E2
BD101	N9	C471	K9	D403	C10	L902	I2	R415	F8	R606	C10	R956	E2
BD601	J11	C472	K9	D404	B10	LED909	P1	R416	E9	R607	I9	R957	E2
C101	M11	C473	L8	D603	I9	LED910	O1	R417	E9	R608	H9	R958	E2
C102	P10	C474	L8	D604	I9	LED911	O1	R418	F9	R609	H9	R959	E2
C103	P9	C475	K8	D605	C6	LED912	P1	R419	F9	R610	J10	R960	E2
C104	P5	C476	K8	D909	L11	LED913	O1	R420	F9	R611	J10	R961	E2
C107	P10	C478	K8	D16901	I1	LED914	O1	R428	B8	R612	J10	R963	K11
C109	O5	C479	K8	F102	P6	MJ801	N1	R429	B8	R613	J10	R964	L11
C110	M8	C480	L10	F104	N5	MJ802	M1	R430	B8	R614	J9	R965	K11
C112	P5	C481	K10	F602	G11	P4301	A9	R431	B8	R615	J9	R966	K11
C113	P7	C482	L10	F603	E10	P9501	A4	R432	B8	R618	H9	R967	K11
C115	N8	C483	L10	F604	E10	P9502	L3	R433	B9	R619	H9	R968	L11
C116	M6	C484	K10	F605	J11	P9504	A2	R434	B9	R620	H9	R969	F2
C117	N8	C485	K10	F606	J11	PW101	M9	R435	B9	R621	H9	R970	F2
C118	M5	C486	L9	F607	I11	Q107	O5	R436	B9	R622	A11	R971	F2
C119	O8	C487	L9	F608	E11	Q108	M4	R451	I6	R623	G10	R972	F2
C120	K5	C488	L9	F611	H11	Q601	C6	R452	I5	R624	G11	R973	H2
C121	P6	C490	K9	F612	H11	Q602	C7	R453	I5	R628	A11	R974	H2
C122	O6	C491	K9	F613	H11	Q603	C5	R454	I5	R633	O8	R975	H2
C123	N6	C492	K10	F614	H11	Q604	C6	R455	I5	R634	O8	R976	H2
C124	N5	C493	I6	F615	H11	Q606	C10	R456	I5	R640	K11	R977	H2
C125	M5	C603	B10	F616	G11	Q607	D10	R457	K6	R652	B11	R978	I2
C126	P8	C606	I9	F617	C11	Q608	D10	R458	K6	R653	C6	R979	D2
C128	M6	C607	B11	F618	C11	Q609	I10	R459	K6	R654	C6	R980	D2
C129	O4	C611	H10	F622	D11	Q610	I10	R460	K7	R655	C6	R981	D2
C130	O4	C612	G10	F801	N2	Q612	I10	R461	L7	R656	C6	R982	D1
C131	N5	C613	A11	F802	L2	Q612	K7	R462	D11	R657	C6	R983	A12
C137	N5	C614	A10	F803	L2	Q613	I9	R463	K7	R6M1	C10	SW602	E11
C401	C10	C615	A10	FH101	M9	Q614	I9	R464	I5	R6M2	C10	SW603	K12
C402	C10	C663	B10	FH102	M10	Q615	I9	R465	K7	R6M3	D11	SW917	O1
C403	D9	C666	D11	IC101	O8	Q901	K11	R466	K7	R6M4	C11	SW918	O1
C404	D9	C801	N2	IC102	M7	Q902	K11	R467	K6	R801	N2	SW919	P1
C405	C9	C802	N3	IC103	L5	Q903	L11	R468	L6	R802	N3	T101	O7
C406	C8	C803	A2	IC104	M1	Q904	L11	R469	L6	R803	K3	T101	M1
C408	D10	C804	N3	IC105	M5	Q905	L3	R470	K6	R804	N3	VR801	K1
C409	C9	C805	M3	IC106	O4	Q906	L3	R471	J6	R805	N3	VR802	K1
C410	E9	C806	M3	IC107	P4	R100	N10	R472	K6	R807	N3	X901	H2
C411	E8	C807	M3	IC402	E9	R101	O10	R473	K6	R808	M3	ZD101	P5
C412	E8	C810	K2	IC452	K7	R102	O8	R474	K5	R809	M3	ZD603	B11
C413	E9	C813	M3	IC453	L8	R103	O8	R475	K8	R811	L2	ZD604	B11
C414	C8	C817	L2	IC454	L10	R104	O8	R476	K8	R813	K2	ZD605	J11
C415	F9	C822	K2	IC801	N3	R114	O8	R477	K9	R814	M2	ZD606	J11
C416	E9	C823	L2	IC802	L2	R114	P5	R478	L9	R816	L2	ZD611	G10
C417	E9	C824	M2	IC802	D2	R115	P5	R479	K8	R817	K2	ZD612	G10
C418	D10	C825	K2	J604	E11	R116	P5	R480	K9	R819	M3	ZD633	A11
C419	D10	C826	L3	J605	F11	R120	N4	R481	I6	R820	K2	ZD634	A11
C420	F9	C901	D2	J606	E10	R121	N5	R482	K9	R821	K2	ZD635	G11
C421	F10	C902	D2	J607	D10	R122	N4	R483	K9	R822	K3	ZD636	G11
C422	D10	C905	A2	J617	E10	R123	M4	R484	K9	R823	K3	ZD637	G11
C423	F9	C906	A2	J618	F11	R124	M7	R485	L8	R824	K3	ZD638	G11
C424	D10	C907	B2	J619	H10	R125	M7	R486	L8	R825	K3	ZD639	D11
C450	J6	C908	H2	J620	C11	R126	M6	R487	K8	R826	K3	ZD640	D11
C451	I5	C909	E2	J621	C11	R127	M6	R489	K8	R926	B3	ZD641	H10
C452	J6	C910	I2	J625	C6	R128	M6	R490	K8	R927	B3	ZD642	G10
C453	J6	C911	I2	J901	D3	R129	M7	R491	K5	R928	B3	ZD643	H10
C454	I5	C912	D2	J902	D2	R130	M4	R492	K10	R929	B3	ZD644	H10
C455	L7	C913	K11	J903	P2	R140	O4	R493	K10	R930	A3	ZD801	N2
C456	K6	C914	K11	J904	P2	R141	P4	R494	K10	R931	A3	ZD802	N2
C457	L7	C915	B5	J905	P2	R142	M4	R495	L10	R932	O2	ZD803	N2
C458	L7	C916	B4	J906	P2	R145	M5	R496	K10	R933	C2	ZD804	N2
C459	K7	D100	O8	J907	B2	R401	C9	R497	K10	R938	A5	ZD805	M2
C460	K7	D102	O6	J908	B2	R403	D8	R499	K10	R939	L11	ZD806	L2
C461	L6	D103	N6	JK601	B1	R404	E8	R441	K10	R943	L3	ZD807	K3
C462	L6	D104	N6	JK602	H12	R405	E8	R442	K5	R944	L3	ZD903	L11
C463	L6	D106	M5	JK603	L11	R406	E8	R443	L9	R945	L11	ZD904	L11
C464	K6	D107	P6	JK604	D12	R407	E8	R444	L9	R946	L11		
C465	K6	D108	O6	L101	N11	R409	E9	R446	K9	R947	H4		
C466	K6	D109	N6	L102	O5	R410	C10	R448	K9	R951	O2		
C467	L9	D110	O6	L103	N5	R411	D8	R449	K9	R952	E2		
C468	K8	D111	M6	L105	M5	R412	E8	R601	A11	R953	E2		
C469	L9	D401	D9	L603	F11	R413	E8	R604	B10	R954	E2		

3. KEY P.C.BOARD

LOCATION GUIDE



P9903	E3
R903	F3
R904	E2
R905	E2
R906	C3
R907	E3
R908	E2
R909	C2
R912	F2
R922	A2
R923	A2
R924	A2
R925	B3
R941	C2
SW902	F2
SW903	F2
SW904	E2
SW905	E3
SW906	C3
SW907	C2
SW908	E2
SW910	B2
SW911	A2
SW912	B3
SW913	B2
SW914	B2
SW915	E2
SW916	C2

SECTION 4 MECHANISM

CONTENTS

DECK MECHANISM PARTS LOCATIONS

- Top View.....4-1
- Top View(without Tray Disc)4-1
- Bottom View4-1

DECK MECHANISM DISASSEMBLY

1. Holder Clamp.....4-2
 - 1-1. Clamp Assembly Disc4-2
 - 1-1-1. Plate Clamp4-2
 - 1-1-2. Magnet Clamp4-2
 - 1-1-3. Clamp Upper.....4-2
2. Tray Disc4-2
3. Base Assembly Sled4-3
 - 3-1. Gear Assembly Feed4-3
 - 3-2. Gear Assembly Middle.....4-3
 - 3-3. Gear Assembly Rack4-3
4. Rubber Rear.....4-3

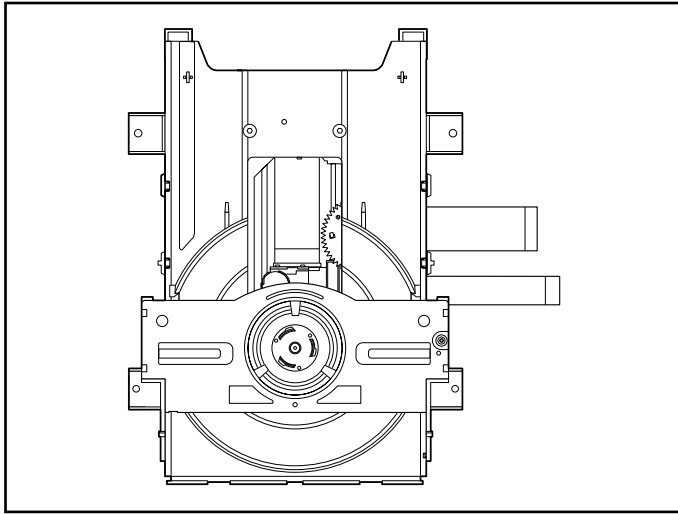
5. Frame Assembly Up/Down.....4-4
6. Belt Loading.....4-4
7. Gear Pulley4-4
8. Gear Loading4-4
9. Guide Up/Down.....4-4
10. PWB Assembly Loading4-4
11. Base Main.....4-4

EXPLODED VIEW

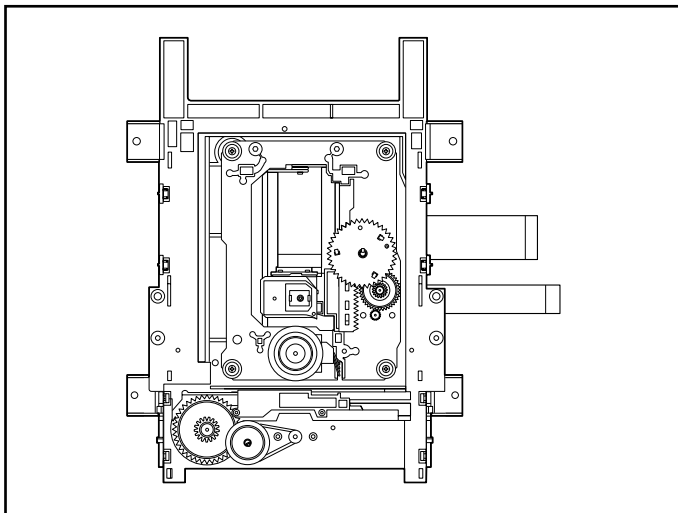
1. Deck Mechanism Exploded View....4-5

DECK MECHANISM PARTS LOCATION

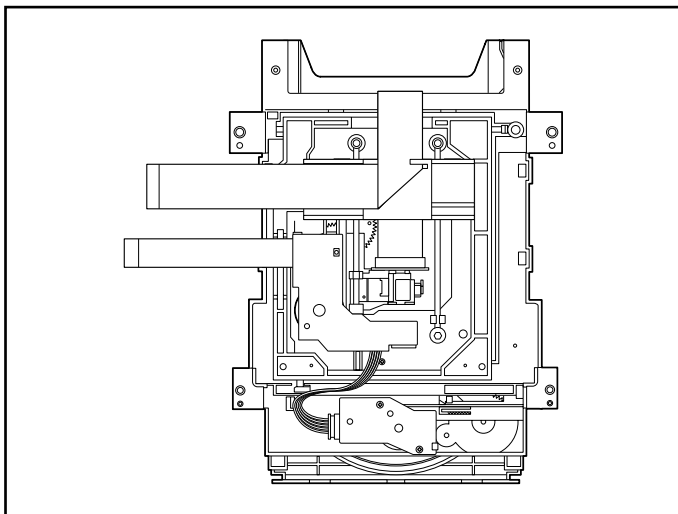
• Top View (With Tray)



• Top View (Without Tray)



• Bottom View



Procedure		Parts	Fixing Type	Disassembly	Figure
Starting No.					
	1	Holder Clamp	2 Screws, 2 Locking Tabs		4-1
1	2	Clamp Assembly Disc			4-1
1, 2	3	Plate Clamp			4-1
1, 2, 3	4	Magnet Clamp			4-1
1, 2, 3, 4	5	Clamp Upper			4-1
1	6	Tray Disc			4-2
1, 6	7	Base Assembly Sled			4-3
1, 2, 6	8	Gear Assembly Feed	4 Screws, 1 Connector 1 Locking Tabs		4-3
1, 2, 6, 8	9	Gear Middle			4-3
1, 2, 6, 8, 9	10	Gear Assembly Rack	1 Screw		4-3
1, 2, 7	11	Rubber Rear			4-3
1, 2, 7	12	Frame Assembly Up/Down	1 Screw	Bottom	4-4
1, 2	13	Belt Loading	1 Locking Tab		4-4
1, 2, 13	14	Gear Pulley			4-4
1, 2, 13, 14	15	Gear Loading	1 Locking Tab		4-4
1, 2, 7, 12, 13, 14	16	Guide Up/Down			4-4
1, 2, 13	17	PWB Assembly Loading	1 Locking Tab 1 Hook 2Screw	Bottom	4-4
1, 2, 7, 12, 13, 14, 15, 16, 17	18	Base Main	2 Locking Tabs		4-4

Note

When reassembling, perform the procedure in reverse order.

The "Bottom" on Disassembly column of above Table indicates the part should be disassembled at the Bottom side.

DECK MECHANISM DISASSEMBLY

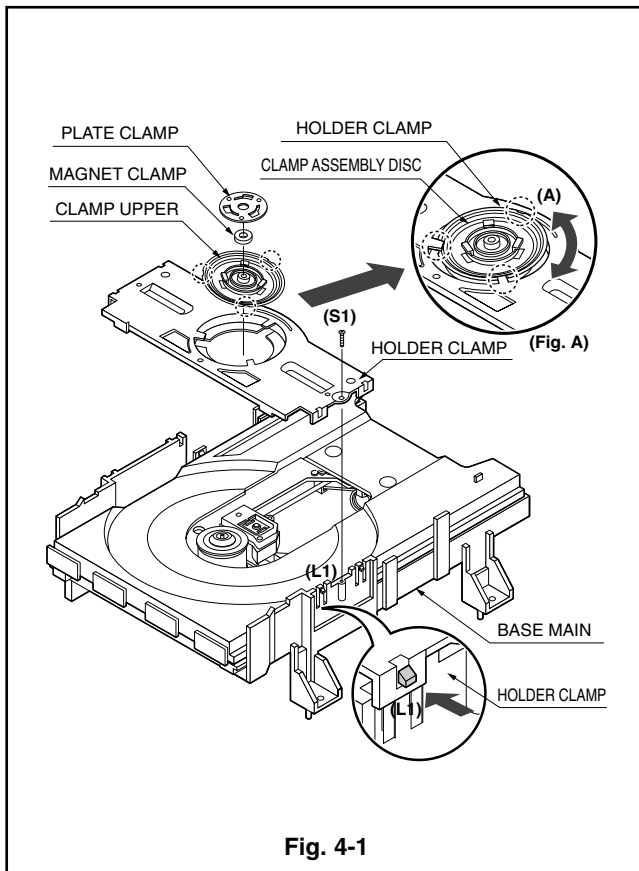


Fig. 4-1

1. Holder Clamp (Fig. 4-1)

- 1) Release 1 Screws(S1).
- 2) Unhook 2 Locking Tabs(L1).
- 3) Lift up the Holder Clamp and then separate it from the Base Main.

1-1. Clamp Assembly Disc

- 1) Place the Clamp Assembly Disc as Fig. (A)
- 2) Lift up the Clamp Assembly Disc in direction of arrow(A).
- 3) Separate the Clamp Assembly Disc from the Holder Clamp.

1-1-1. Plate Clamp

- 1) Turn the Plate Clamp to counterclockwise direction and then lift up the Plate Clamp.

1-1-2. Magnet Clamp

1-1-3. Clamp Upper

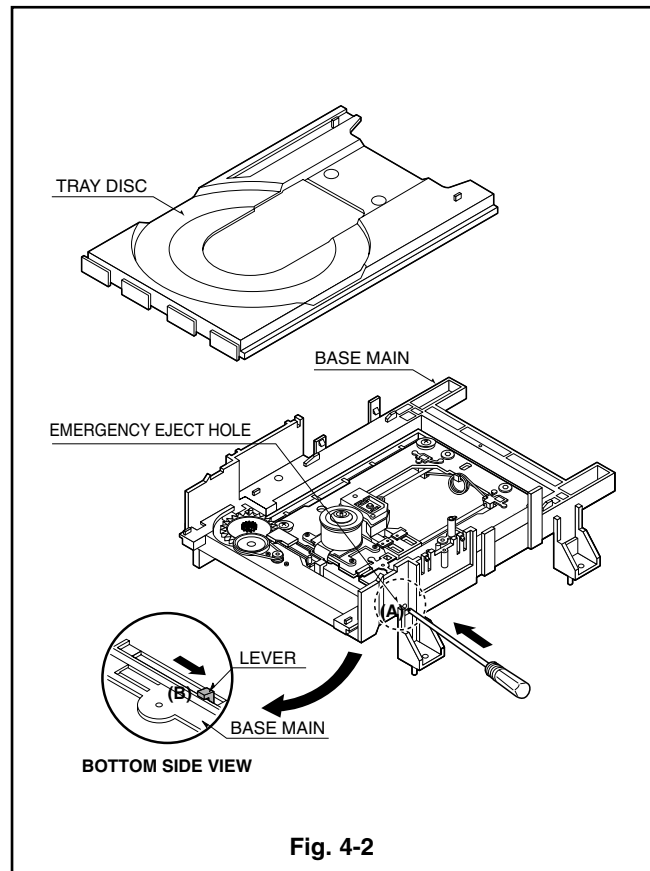


Fig. 4-2

2. Tray Disc (Fig. 4-2)

- 1) Insert and push a Driver in the emergency eject hole(A) to the right side, or put the Driver on the Lever(B) of the Gear Emergency and pull the Lever(B) in direction of arrow so that the Tray Disc is ejected about 15~20mm.
- 2) Pull the Tray Disc until it is separated from the Base Main completely.

DECK MECHANISM DISASSEMBLY

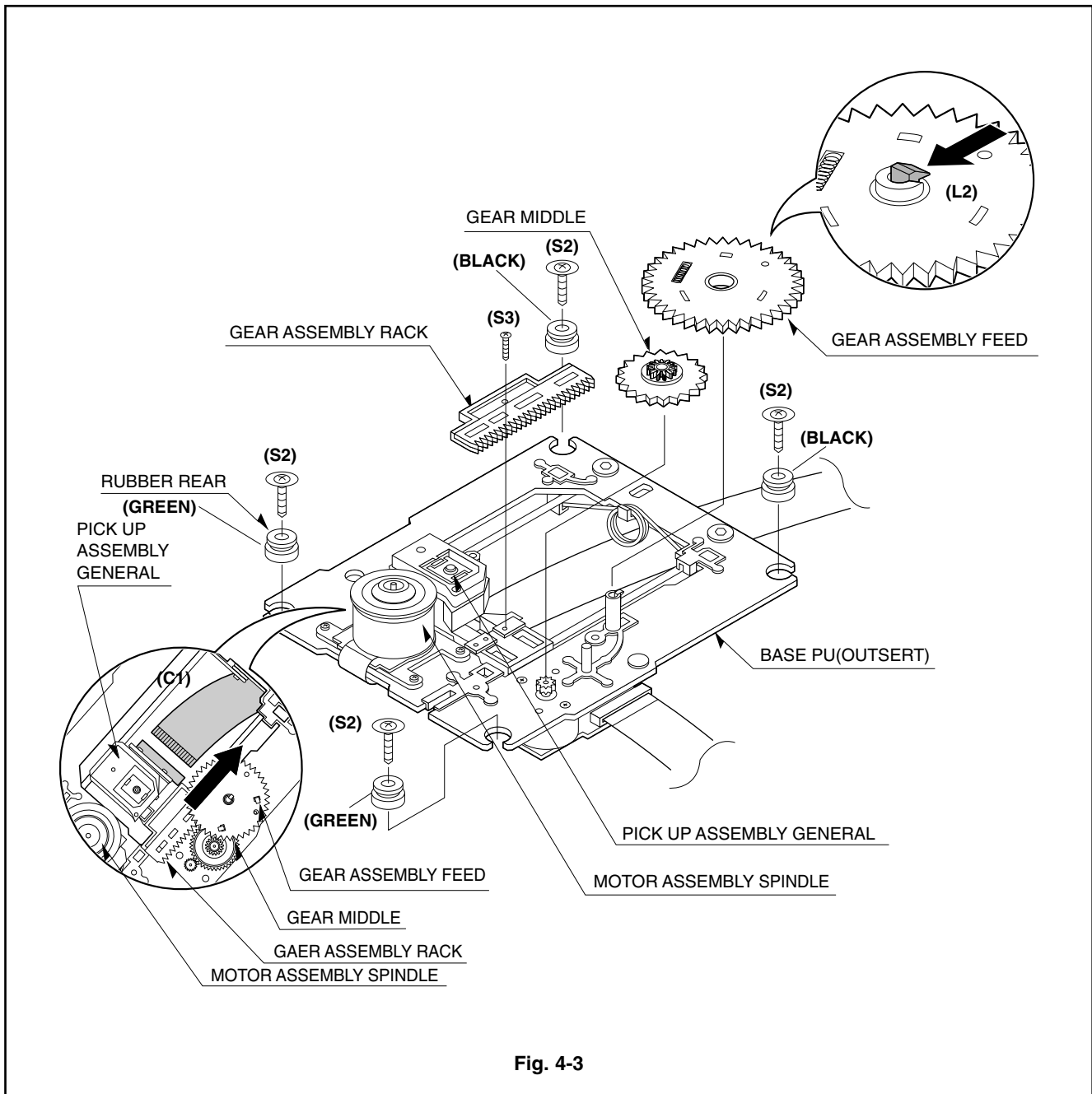


Fig. 4-3

3. Base Assembly Sled (Fig. 4-3)

- 1) Release 4 Screw(S2).
- 2) Disconnect the FFC Connector(C1)

3-1. Gear Assembly Feed

- 1) Unhook the Locking Tab(L2) in direction of arrow.

3-2. Gear Middle

3-3. Gear Assembly Rack

- 1) Release the Screw(S3)

4. Rubber Rear (Fig. 4-3)

DECK MECHANISM DISASSEMBLY

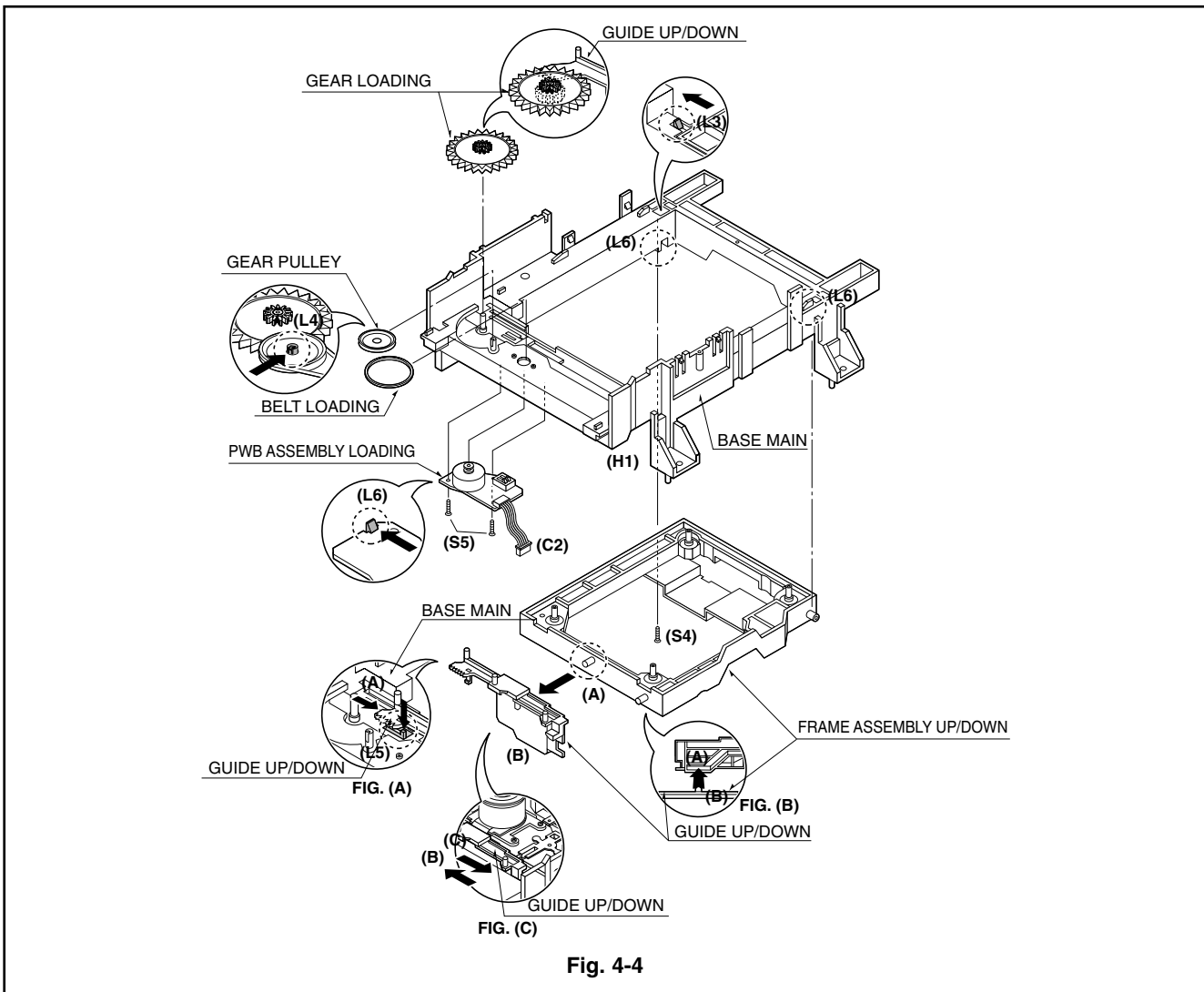


Fig. 4-4

5. Frame Assembly Up/Down

Note

Put the Base Main face down(Bottom Side)

- 1) Release the Screw(S4)
- 2) Unlock the Locking Tab(L3) in direction of arrow and then lift up the Frame Assembly Up/Down to separate it from the Base Main.

Note

- When reassembling move the Guide Up/Down in direction of arrow(C) until it is positioned as Fig.(C).
- When reassembling insert (A) portion of the Frame Assembly Up/Down in the (B) portion of the Guide Up/Down as Fig.(B)

6. Belt Loading(Fig. 4-4)

Note

Put the Base Assembly Main on original position(Top Side)

7. Gear pulley (Fig. 4-4)

- 1) Unlock the Locking Tab(L4) in direction of arrow(B) and then separate the Gear Pulley from the Base Main.

8. Gear Loading (Fig. 4-4)

9. Guide Up/Down (Fig. 4-4)

- 1) Move the Guide Up/Down in direction of arrow(A) as Fig.(A)
- 2) Push the Locking Tab(L5) down and then lift up the Guide Up/Down to separate it from the Base Main.

Note

When reassembling place the Guide Up/Down as Fig.(C) and move it in direction arrow(B) until it is locked by the Locking Tab(L5). And confirm the Guide Up/Down as Fig.(A)

10. PWB Assembly Loading

Note

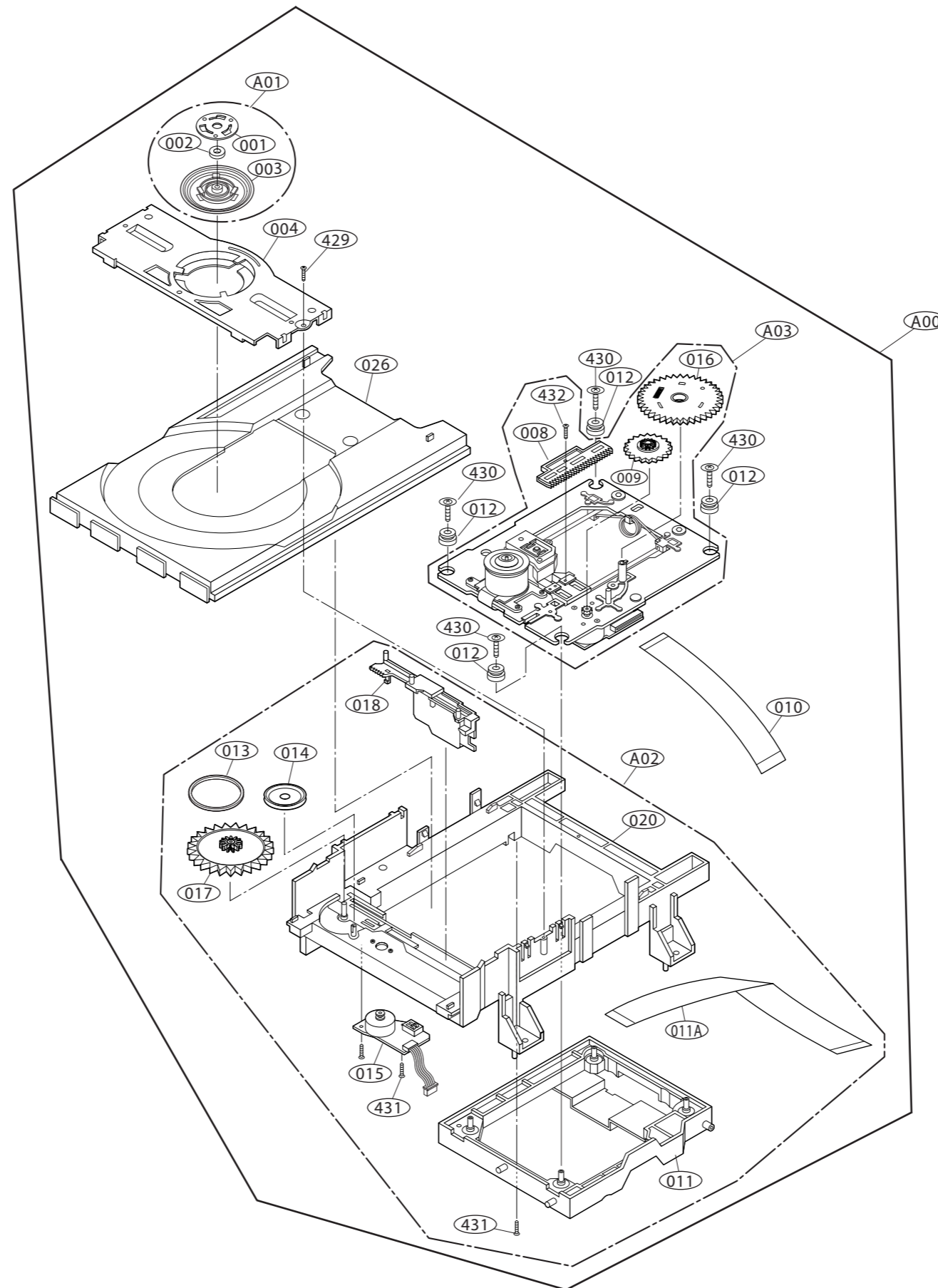
Put the Base Main face down(Bottom Side)

- 1) Release 2 Screws(S5)
- 2) Unhook the Loading Motor Connector (C2) from the Hook (H1) on the Base Main.
- 3) Unlock 2 Locking Tabs(L6) and separate the PWB Assembly Loading from the Base Main.

11. Base Main(Fig. 4-4)

EXPLODED VIEWS

1. Deck Mechanism Exploded View



MEMO

Horizontal dotted lines for writing.

MEMO

Horizontal dotted lines for writing.

NOTES) If you want to purchase
Flash memory, you must order
"IC3F1A"

NOTES) ⚠ Warning
Parts that are shaded are critical
With respect to risk of fire or
electrical shock.

SECTION 5 REPLACEMENT PARTS LIST

MODELS:(A)T512AH, (B)T512C, (C)T532AH, (D)T532C(NAD)

RUN DATE:AUG.06.2002

.MECHANICAL SECTION

NSP:Not Service Part

S	AL	LOCA.NO	PART NO(LG)	A	B	C	D	DESCRIPTION	SPECIFICATION	REMARKS
ASSEMBLY PARTS SECTION										
		A00	6721RH0352A	O	O	O	O	DECK ASSEMBLY,VIDEO	DP-5 R/RW -SH (MITSUMI 2LD 302	
		A01	4861R-0006B	O	O	O	O	CLAMP ASSEMBLY	DISC(DP2)-SH	
		A02	3041R-0053C	O	O	O	O	BASE ASSEMBLY	MAIN(DP-5RM, 2LD DC W/O SENSOR	
		A03	3041R-0054F	O	O	O	O	BASE ASSEMBLY	SLED (DP-5RM, 2LD 302T DC W/O	
PARTS SECTION										
		001	3300R-0547A	O	O	O	O	PLATE	CLAMP	NSP
		002	5016H-1016B	O	O	O	O	MAGNET	CLAMP(LDM-R608,10*5,1*1.5T)	NSP
		003	4860R-0006A	O	O	O	O	CLAMP	UPPER	NSP
		004	4930R-0299A	O	O	O	O	HOLDER,SHELF	CLAMP(DP-5)	
		008	4470R-0047A	O	O	O	O	GEAR	ASSY RACK	
		009	4470R-0053A	O	O	O	O	GEAR	MIDDLE	
		010	6850R-GK12A	O	O	O	O	CABLE,FLAT	P=1.0 FFC UL2896(0.05X0.65) 11	
		011	3210R-0068A	O	O	O	O	FRAME	UP/DOWN(DP-5)	
		011A	6850R-JW28Z	O	O	O	O	CABLE,FLAT	P=1.0 FFC UL2896(0.035X0.7) 23	
		012	5040R-0047B	O	O	O	O	RUBBER	DAMPER(E2,5040H-1054A),CHUNPOO	
		013	4400R-0006A	O	O	O	O	BELT	LOADING	
		014	4470R-0055A	O	O	O	O	GEAR	PULLEY	
		015	6871R-4415D	O	O	O	O	PWB(PCB) ASSEMBLY,TOTAL	LOADING DP4 MITSUMI -SH	
		016	4470R-0050A	O	O	O	O	GEAR	ASSY FEED	
		017	4470R-0056A	O	O	O	O	GEAR	LOADING	
		018	4974R-0023A	O	O	O	O	GUIDE	UP/DOWN	
		020	3040R-0067A	O	O	O	O	BASE	MAIN	NSP
		026	3390R-0005A	O	O	O	O	TRAY	DISC	
SCREW										
		430	1SZZH-1003A	O	O	O	O	SCREW,	+ D2.0 6MM SWRCH16A/NIY 4.5MM	
		431	1SZZH-1007B	O	O	O	O	SCREW,DRAWING	+ D2.0 6MM SWRCH16A/ZNBK 4MM 1	
		432	1SZZR-0011A	O	O	O	O	SCREW,	MACHINE	
.CABINET & MAIN FRAME SECTION										
ASSEMBLY PARTS SECTION										
		A43	3501RF3003A				O	BOARD ASSEMBLY	FRONT(T532_AH_)	
		A43	3501RF3003B				O	BOARD ASSEMBLY	FRONT(T532_C_)	
		A43	3501RF3003C	O				BOARD ASSEMBLY	FRONT(T512_AH_)	
		A43	3501RF3003D		O			BOARD ASSEMBLY	FRONT(T512_C_)	
		A46	6885R-0509D				O	SUB PWB(PCB) ASSEMBLY	DVN5022E HA2DNN T532 C	
		A46	6885R-0509E				O	SUB PWB(PCB) ASSEMBLY	DVN5024N HA1UNN T532 AH	
		A46	6885R-0509F	O				SUB PWB(PCB) ASSEMBLY	DVN5022N HA1UNNT T512 AH	
		A46	6885R-0509G		O			SUB PWB(PCB) ASSEMBLY	DVN5022E HA2DNN T512 C	
		A48	6871R-5175A				O	PWB(PCB) ASSEMBLY,TOTAL	DVN5022E I/O SH	
		A48	6871R-5175B				O	PWB(PCB) ASSEMBLY,TOTAL	DVN5024P I/O SH	
		A48	6871R-5175D	O				PWB(PCB) ASSEMBLY,TOTAL	DVN5022N I/O SH	
		A48	6871R-5175E		O			PWB(PCB) ASSEMBLY,TOTAL	DVN5022E I/O SH	
PARTS SECTION										
		250	3110R-0311E		O			CASE	DVD DV5000 TOP D-A288G (SILVER	
		250	3110R-0311F	O		O	O	CASE	DVD DV5000 TOP NAD_D423G (W/O	
		260	3141R-0066L				O	CHASSIS ASSEMBLY	T532_AH #1	NSP
		260	3141R-0066M				O	CHASSIS ASSEMBLY	T532_#2 C	NSP
		260	3141R-0066P	O				CHASSIS ASSEMBLY	T512#1 AH	NSP
		260	3141R-0066Q		O			CHASSIS ASSEMBLY	T512#2 C	NSP
		275	4930R-0183A	O	O	O	O	HOLDER	MAIN PCB	
		280	3721R-F291A				O	PANEL ASSEMBLY,FRONT	FRONT (T532_AH_)	
		280	3721R-F291B				O	PANEL ASSEMBLY,FRONT	FRONT (T532_C_)	
		280	3721R-F291C	O				PANEL ASSEMBLY,FRONT	FRONT (T512_AH_)	
		280	3721R-F291D		O			PANEL ASSEMBLY,FRONT	FRONT (T532_AH_)	

S	AL	LOCA.NO	PART NO(LG)	A	B	C	D	DESCRIPTION	SPECIFICATION	REMARKS
		283	3580R-T042B	O		O	O	DOOR,CASE	TRAY (T532)NAD	
		283	3580R-T042C		O			DOOR,CASE	TRAY (T512)NAD	
△		300	6410RAHJ02B	O		O		POWER CORD	JL001/NISPT-2(ST:HS=70MM) JIUL	
△		300	6410RCHJ02B		O		O	POWER CORD	JL201B H03VVH2-F(S:H=70MM) JIU	
		332	3300R-M018A	O	O	O	O	PLATE	MAIN GND(DVD-3000 SUS-0.2T)	
SCREW										
		452	353-051A	O	O	O	O	SCREW	SPECIAL	
		463	353-051G	O	O	O	O	SCREW,DRAWING	+ 2 D3.0 L8.0 MSWR3/FN TB ROUN	
		465	353-046K	O	O	O	O	SCREW	SPECIAL (3X10 B.K)	
		467	353-046N	O	O	O	O	SCREW,	SPECIAL(3X8 BK.)	
.PACKING & ACCESSORY SECTION										
		801	3835RS0043K		O		O	INSTRUCTION ASSEMBLY	DVN5022E_HA2DNN/HA2DNNT	
		801	3835RS0043L	O		O		INSTRUCTION ASSEMBLY	DVN5022N_HA1UNNT/DVN5024N_HA1U	
		802	3890R-H524P		O			BOX	DVN5022E HA2DNNT SW3-A 0.955 1	
		802	3890R-H524Q				O	BOX	DVN5022E HA2DNN SW3-A 0.955 1	
		802	3890R-H524R	O				BOX	DVN5022N HA1UNNT SW3-A 0.955 1	
		802	3890R-H524S			O		BOX	DVN5024N HA1UNN SW3-A 0.955 1	
		803	3920R-E061A	O	O	O	O	PACKING,CASING	NAD5000 0.02 80 EPS 5 935 1898	
		804	292-053B	O	O	O	O	BAG	SOFT(MIDI)	NSP
		808	841-0021	O	O	O	O	BATTERY,MN	ER03X HI WATT 1.5V .MA/H AAA	
		810	6851RP0003N	O	O	O	O	CABLE ASSY,RF	DVD CABLE ASSY,RCA USING AREA	
		811	6611R1G001A	O	O	O	O	PLUG ASSY	1WAY YELLOW GLOBAL	
		812	6611R2G001A	O	O	O	O	PLUG ASSY	2WAY RED/WHITE GLOBAL	
.REMOTE CONTROL SECTION										
		900	6711R2N010W	O	O	O	O	REMOTE CONTROLLER ASSY	D1 NOR DVN4021N NAD	

.ELECTRICAL SECTION

S	AL	LOCA.NO	PART NO(LG)	A	B	C	D	DESCRIPTION	SPECIFICATION	REMARKS
CAPACITOR										
△		C101	624-088S	O	O	O	O	CAPACITOR,DRAWING	MPX104K ETR/EUROPTRONIC BULK	
		C102	0CG3320U632	O	O	O	O	CAPACITOR,FIXED CERAMIC(TEMP.C	3300PF D 400V 20% R Y (N 800	
		C103	0CE1076Q600	O		O		CAPACITOR,ELECTROLYTIC	100UF SMS 200V M W BULK	
		C103	0CE686CU611		O		O	CAPACITOR,AL.ELECTROLYTIC	68UF SHL,SD 400V M FL BK7.5	
		C104	624-085D	O	O	O	O	CAPACITOR	CE 47UF/50V KME (SMPS)	
		C109	0CE108BF630	O	O	O	O	CAPACITOR,FIXED ELECTROLYTIC	1000UF KME 16V M FM5 BULK	
		C110	0CN4730K948	O	O	O	O	CAPACITOR,FIXED TUBULAR(High d	0.047UF D 50V 80%,-20% F(Y5V)	
		C112	0CE3376D638	O	O	O	O	CAPACITOR,ELECTROLYTIC	330UF SMS 10V M FM5 TP5	
		C113	0CG3320U632	O	O	O	O	CAPACITOR,FIXED CERAMIC(TEMP.C	3300PF D 400V 20% R Y (N 800	
		C115	0CE1064K638	O	O	O	O	CAPACITOR,FIXED ELECTROLYTIC	10M SRA 50V M FM5 TP(5)	
		C116	0CE477BH630	O	O	O	O	CAPACITOR,AL.ELECTROLYTIC	470UF KME TYPE 25V M FM5 BULK	
		C117	0CN4730K948	O	O	O	O	CAPACITOR,FIXED TUBULAR(High d	0.047UF D 50V 80%,-20% F(Y5V)	
		C118	0CE1074F638	O	O	O	O	CAPACITOR,ELECTROLYTIC	100U SRA 16V M FM5 TP(5)	
		C119	624-087B	O	O	O	O	CAPACITOR	HIGH-VOL 100P/1KV SMPS SAMHWA	
		C120	0CE1074F638	O	O	O	O	CAPACITOR,ELECTROLYTIC	100U SRA 16V M FM5 TP(5)	
		C121	0CE2276F638	O	O	O	O	CAPACITOR,ELECTROLYTIC	220U SMS 16V M FM5 TP(5)	
		C122	624-085D	O	O	O	O	CAPACITOR	CE 47UF/50V KME (SMPS)	
		C123	0CE108BF630	O	O	O	O	CAPACITOR,FIXED ELECTROLYTIC	1000UF KME 16V M FM5 BULK	
		C124	0CE337CH618	O	O	O	O	CAPACITOR,FIXED ELECTROLYTIC	330UF SHL,SD 25V 20% FL TP 5	
		C125	0CE1054K638	O	O	O	O	CAPACITOR,ELECTROLYTIC	1.0M SRA/SS50V M FM5 TP(5)	
		C126	0CQ1031Y519	O	O	O	O	CAPACITOR,POLYESTER	0.01UF D 630V K PE NI TP	
		C128	0CQ1042K409	O	O	O	O	CAPACITOR,FIXED FILM	0.1UF S 50V J PE TP	
		C129	0CE1074F638	O	O	O	O	CAPACITOR,ELECTROLYTIC	100U SRA 16V M FM5 TP(5)	
		C130	0CE1074F638	O	O	O	O	CAPACITOR,ELECTROLYTIC	100U SRA 16V M FM5 TP(5)	
		C131	0CE1074F638	O	O	O	O	CAPACITOR,ELECTROLYTIC	100U SRA 16V M FM5 TP(5)	
		C137	0CE3376D638	O	O	O	O	CAPACITOR,ELECTROLYTIC	330UF SMS 10V M FM5 TP5	
		C201	0CH1104K942	O	O	O	O	CAPACITOR,CHIP(CERAMIC M/L HD	0.1UF 50V Z Y5V(F) 1508 R/TP	
		C202	0CH1104K942	O	O	O	O	CAPACITOR,CHIP(CERAMIC M/L HD	0.1UF 50V Z Y5V(F) 1508 R/TP	
		C203	0CH1104K942	O	O	O	O	CAPACITOR,CHIP(CERAMIC M/L HD	0.1UF 50V Z Y5V(F) 1508 R/TP	
		C204	0CH1104K942	O	O	O	O	CAPACITOR,CHIP(CERAMIC M/L HD	0.1UF 50V Z Y5V(F) 1508 R/TP	
		C205	0CH1104K942	O	O	O	O	CAPACITOR,CHIP(CERAMIC M/L HD	0.1UF 50V Z Y5V(F) 1508 R/TP	
		C206	0CH1104K942	O	O	O	O	CAPACITOR,CHIP(CERAMIC M/L HD	0.1UF 50V Z Y5V(F) 1508 R/TP	
		C207	0CH1105D942	O	O	O	O	CAPACITOR,CHIP(CERAMIC M/L HD	1UF 10V Z Y5V(F) 1508 R/TP	
		C208	0CH1104K942	O	O	O	O	CAPACITOR,CHIP(CERAMIC M/L HD	0.1UF 50V Z Y5V(F) 1508 R/TP	
		C209	0CH1104K942	O	O	O	O	CAPACITOR,CHIP(CERAMIC M/L HD	0.1UF 50V Z Y5V(F) 1508 R/TP	
		C210	0CH1104K942	O	O	O	O	CAPACITOR,CHIP(CERAMIC M/L HD	0.1UF 50V Z Y5V(F) 1508 R/TP	
		C211	0CE1064F638	O	O	O	O	CAPACITOR,ELECTROLYTIC	10M SRA 16V M FM5 TP(5)	
		C212	0CE1064F638	O	O	O	O	CAPACITOR,ELECTROLYTIC	10M SRA 16V M FM5 TP(5)	
		C213	0CE1064F638	O	O	O	O	CAPACITOR,ELECTROLYTIC	10M SRA 16V M FM5 TP(5)	
		C214	0CH1104K942	O	O	O	O	CAPACITOR,CHIP(CERAMIC M/L HD	0.1UF 50V Z Y5V(F) 1508 R/TP	
		C215	0CH1104K942	O	O	O	O	CAPACITOR,CHIP(CERAMIC M/L HD	0.1UF 50V Z Y5V(F) 1508 R/TP	
		C216	0CH1104K942	O	O	O	O	CAPACITOR,CHIP(CERAMIC M/L HD	0.1UF 50V Z Y5V(F) 1508 R/TP	
		C224	0CH1104K942	O	O	O	O	CAPACITOR,CHIP(CERAMIC M/L HD	0.1UF 50V Z Y5V(F) 1508 R/TP	
		C225	0CH1105D942	O	O	O	O	CAPACITOR,CHIP(CERAMIC M/L HD	1UF 10V Z Y5V(F) 1508 R/TP	
		C226	0CH1105D942	O	O	O	O	CAPACITOR,CHIP(CERAMIC M/L HD	1UF 10V Z Y5V(F) 1508 R/TP	
		C229	0CH1104K942	O	O	O	O	CAPACITOR,CHIP(CERAMIC M/L HD	0.1UF 50V Z Y5V(F) 1508 R/TP	
		C230	0CH1104K942	O	O	O	O	CAPACITOR,CHIP(CERAMIC M/L HD	0.1UF 50V Z Y5V(F) 1508 R/TP	
		C231	0CH1104K942	O	O	O	O	CAPACITOR,CHIP(CERAMIC M/L HD	0.1UF 50V Z Y5V(F) 1508 R/TP	
		C232	0CE1064F638	O	O	O	O	CAPACITOR,ELECTROLYTIC	10M SRA 16V M FM5 TP(5)	
		C238	0CH1104K942	O	O	O	O	CAPACITOR,CHIP(CERAMIC M/L HD	0.1UF 50V Z Y5V(F) 1508 R/TP	
		C239	0CH1104K942	O	O	O	O	CAPACITOR,CHIP(CERAMIC M/L HD	0.1UF 50V Z Y5V(F) 1508 R/TP	
		C240	0CH1222K562	O	O	O	O	CAPACITOR,CHIP(CERAMIC M/L HD	2200PF 50V K X7R(X) 1608 R/TP	
		C242	0CH1104K942	O	O	O	O	CAPACITOR,CHIP(CERAMIC M/L HD	0.1UF 50V Z Y5V(F) 1508 R/TP	
		C245	0CH1105D942	O	O	O	O	CAPACITOR,CHIP(CERAMIC M/L HD	1UF 10V Z Y5V(F) 1508 R/TP	
		C251	0CH1105D942	O	O	O	O	CAPACITOR,CHIP(CERAMIC M/L HD	1UF 10V Z Y5V(F) 1508 R/TP	
		C252	0CH4100K112	O	O	O	O	CHIP CAPA CERAMIC M/L T.C F/S	10P 50V D COG 1.6X0.8 R/TP	

S	AL	LOCA.NO	PART NO(LG)	A	B	C	D	DESCRIPTION	SPECIFICATION	REMARKS
		C253	0CH1105D942	O	O	O	O	CAPACITOR,CHIP[CERAMIC M/L HD	1UF 10V Z Y5V(F) 1508 R/TP	
		C254	0CH1105D942	O	O	O	O	CAPACITOR,CHIP[CERAMIC M/L HD	1UF 10V Z Y5V(F) 1508 R/TP	
		C255	0CH1104K942	O	O	O	O	CAPACITOR,CHIP[CERAMIC M/L HD	0.1UF 50V Z Y5V(F) 1508 R/TP	
		C258	0CH1105D942	O	O	O	O	CAPACITOR,CHIP[CERAMIC M/L HD	1UF 10V Z Y5V(F) 1508 R/TP	
		C261	0CE1064F638	O	O	O	O	CAPACITOR,ELECTROLYTIC	10M SRA 16V M FM5 TP(5)	
		C262	0CE1064F638	O	O	O	O	CAPACITOR,ELECTROLYTIC	10M SRA 16V M FM5 TP(5)	
		C263	0CE1064F638	O	O	O	O	CAPACITOR,ELECTROLYTIC	10M SRA 16V M FM5 TP(5)	
		C264	0CE1064F638	O	O	O	O	CAPACITOR,ELECTROLYTIC	10M SRA 16V M FM5 TP(5)	
		C265	0CE1064F638	O	O	O	O	CAPACITOR,ELECTROLYTIC	10M SRA 16V M FM5 TP(5)	
		C272	0CE4764F638	O	O	O	O	CAPACITOR,ELECTROLYTIC	47M SRA/SS 16V M FM5 TP(5)	
		C273	0CH1225F944	O	O	O	O	CAPACITOR,FIXED CERAMIC(Temp.c	2.2UF 16V 80%,-20% Y5V(F) 3216	
		C274	0CE4764F638	O	O	O	O	CAPACITOR,ELECTROLYTIC	47M SRA/SS 16V M FM5 TP(5)	
		C278	0CE1064F638	O	O	O	O	CAPACITOR,ELECTROLYTIC	10M SRA 16V M FM5 TP(5)	
		C279	0CE1064F638	O	O	O	O	CAPACITOR,ELECTROLYTIC	10M SRA 16V M FM5 TP(5)	
		C280	0CE1064F638	O	O	O	O	CAPACITOR,ELECTROLYTIC	10M SRA 16V M FM5 TP(5)	
		C281	0CE1064F638	O	O	O	O	CAPACITOR,ELECTROLYTIC	10M SRA 16V M FM5 TP(5)	
		C284	0CE4764F638	O	O	O	O	CAPACITOR,ELECTROLYTIC	47M SRA/SS 16V M FM5 TP(5)	
		C285	0CE1064F638	O	O	O	O	CAPACITOR,ELECTROLYTIC	10M SRA 16V M FM5 TP(5)	
		C286	0CH1104K942	O	O	O	O	CAPACITOR,CHIP[CERAMIC M/L HD	0.1UF 50V Z Y5V(F) 1508 R/TP	
		C287	0CE1064F638	O	O	O	O	CAPACITOR,ELECTROLYTIC	10M SRA 16V M FM5 TP(5)	
		C288	0CE1064F638	O	O	O	O	CAPACITOR,ELECTROLYTIC	10M SRA 16V M FM5 TP(5)	
		C290	0CH4180K412	O	O	O	O	CAPACITOR,CHIP[CERAMIC M/L TC	18P 50V J COG 1.6X0.8 R/TP	
		C291	0CH4180K412	O	O	O	O	CAPACITOR,CHIP[CERAMIC M/L TC	18P 50V J COG 1.6X0.8 R/TP	
		C292	0CH1104K942	O	O	O	O	CAPACITOR,CHIP[CERAMIC M/L HD	0.1UF 50V Z Y5V(F) 1508 R/TP	
		C293	0CH1104K942	O	O	O	O	CAPACITOR,CHIP[CERAMIC M/L HD	0.1UF 50V Z Y5V(F) 1508 R/TP	
		C294	0CH1104K942	O	O	O	O	CAPACITOR,CHIP[CERAMIC M/L HD	0.1UF 50V Z Y5V(F) 1508 R/TP	
		C295	0CH1104K942	O	O	O	O	CAPACITOR,CHIP[CERAMIC M/L HD	0.1UF 50V Z Y5V(F) 1508 R/TP	
		C296	0CH1104K942	O	O	O	O	CAPACITOR,CHIP[CERAMIC M/L HD	0.1UF 50V Z Y5V(F) 1508 R/TP	
		C2A0	0CE4764F638	O	O	O	O	CAPACITOR,ELECTROLYTIC	47M SRA/SS 16V M FM5 TP(5)	
		C2A3	0CH1104K942	O	O	O	O	CAPACITOR,CHIP[CERAMIC M/L HD	0.1UF 50V Z Y5V(F) 1508 R/TP	
		C2A4	0CE1064F638	O	O	O	O	CAPACITOR,ELECTROLYTIC	10M SRA 16V M FM5 TP(5)	
		C2A5	0CH1683F942	O	O	O	O	CAPACITOR,FIXED CERAMIC(Temp.c	0.068UF 16V 80%,-20% Y5V(F) 16	
		C2A6	0CH1102K562	O	O	O	O	CAPACITOR,FIXED CERAMIC(Temp.c	1000PF 50V 10% X7R(X) 1608 R/T	
		C2A7	0CH1104K942	O	O	O	O	CAPACITOR,CHIP[CERAMIC M/L HD	0.1UF 50V Z Y5V(F) 1508 R/TP	
		C2A8	0CH1152K562	O	O	O	O	CAPACITOR,FIXED CERAMIC(Temp.c	1500PF 50V 10% X7R(X) 1608 R/T	
		C2A9	0CH1104K942	O	O	O	O	CAPACITOR,CHIP[CERAMIC M/L HD	0.1UF 50V Z Y5V(F) 1508 R/TP	
		C2B3	0CH1392K562	O	O	O	O	CAPACITOR,FIXED CERAMIC(Temp.c	3900PF 50V K Z5U(E) 1608 R/TP	
		C2B4	0CH1683F942	O	O	O	O	CAPACITOR,FIXED CERAMIC(Temp.c	0.068UF 16V 80%,-20% Y5V(F) 16	
		C2B5	0CH1333K562	O	O	O	O	CAPACITOR,CHIP[CERAMIC M/L HD	0.033UF 50V K X7R(X) 1508 R/TP	
		C2B9	0CH1104K942	O	O	O	O	CAPACITOR,CHIP[CERAMIC M/L HD	0.1UF 50V Z Y5V(F) 1508 R/TP	
		C2C1	0CH1103K562	O	O	O	O	CAPACITOR,FIXED CERAMIC(Temp.c	0.01UF 50V 10% X7R(X) 1608 R/T	
		C2C2	0CE1064F638	O	O	O	O	CAPACITOR,ELECTROLYTIC	10M SRA 16V M FM5 TP(5)	
		C2C4	0CH1102K562	O	O	O	O	CAPACITOR,FIXED CERAMIC(Temp.c	1000PF 50V 10% X7R(X) 1608 R/T	
		C2C5	0CH1332K562	O	O	O	O	CAPACITOR,CHIP[CERAMIC M/L HD	3300PF 50V K X7R 1.6X0.8 R/TP	
		C2C6	0CH1102K562	O	O	O	O	CAPACITOR,FIXED CERAMIC(Temp.c	1000PF 50V 10% X7R(X) 1608 R/T	
		C2C8	0CH1104K942	O	O	O	O	CAPACITOR,CHIP[CERAMIC M/L HD	0.1UF 50V Z Y5V(F) 1508 R/TP	
		C2C9	0CE1064F638	O	O	O	O	CAPACITOR,ELECTROLYTIC	10M SRA 16V M FM5 TP(5)	
		C2D0	0CE4764F638	O	O	O	O	CAPACITOR,ELECTROLYTIC	47M SRA/SS 16V M FM5 TP(5)	
		C2D1	0CE4764F638	O	O	O	O	CAPACITOR,ELECTROLYTIC	47M SRA/SS 16V M FM5 TP(5)	
		C2D2	0CH1104K942	O	O	O	O	CAPACITOR,CHIP[CERAMIC M/L HD	0.1UF 50V Z Y5V(F) 1508 R/TP	
		C2D3	0CH1104K942	O	O	O	O	CAPACITOR,CHIP[CERAMIC M/L HD	0.1UF 50V Z Y5V(F) 1508 R/TP	
		C2D4	0CE4764F638	O	O	O	O	CAPACITOR,ELECTROLYTIC	47M SRA/SS 16V M FM5 TP(5)	
		C2D5	0CE1064F638	O	O	O	O	CAPACITOR,ELECTROLYTIC	10M SRA 16V M FM5 TP(5)	
		C2D6	0CH1104K942	O	O	O	O	CAPACITOR,CHIP[CERAMIC M/L HD	0.1UF 50V Z Y5V(F) 1508 R/TP	
		C2D7	0CH1152K562	O	O	O	O	CAPACITOR,FIXED CERAMIC(Temp.c	1500PF 50V 10% X7R(X) 1608 R/T	
		C2D9	0CH1104K942	O	O	O	O	CAPACITOR,CHIP[CERAMIC M/L HD	0.1UF 50V Z Y5V(F) 1508 R/TP	
		C2M1	0CE1074F638	O	O	O	O	CAPACITOR,ELECTROLYTIC	100U SRA 16V M FM5 TP(5)	
		C2M2	0CH1682K562	O	O	O	O	CAPACITOR,CHIP[CERAMIC M/L HD	6800P 50V K X7R 1.6X0.8 R/TP	

S	AL	LOCA.NO	PART NO(LG)	A	B	C	D	DESCRIPTION	SPECIFICATION	REMARKS
		C2M3	0CH1472K562	O	O	O	O	CAPACITOR,CHIP[CERAMIC M/L HD	4700PF 50V K X7R(X) 1608 R/TP	
		C2M4	0CH1104K942	O	O	O	O	CAPACITOR,CHIP[CERAMIC M/L HD	0.1UF 50V Z Y5V(F) 1508 R/TP	
		C2M5	0CH1104K942	O	O	O	O	CAPACITOR,CHIP[CERAMIC M/L HD	0.1UF 50V Z Y5V(F) 1508 R/TP	
		C2M6	0CH1104K942	O	O	O	O	CAPACITOR,CHIP[CERAMIC M/L HD	0.1UF 50V Z Y5V(F) 1508 R/TP	
		C2M7	0CH1104K942	O	O	O	O	CAPACITOR,CHIP[CERAMIC M/L HD	0.1UF 50V Z Y5V(F) 1508 R/TP	
		C2M8	0CH1104K942	O	O	O	O	CAPACITOR,CHIP[CERAMIC M/L HD	0.1UF 50V Z Y5V(F) 1508 R/TP	
		C2M9	0CH1104K942	O	O	O	O	CAPACITOR,CHIP[CERAMIC M/L HD	0.1UF 50V Z Y5V(F) 1508 R/TP	
		C2N1	0CH1104K942	O	O	O	O	CAPACITOR,CHIP[CERAMIC M/L HD	0.1UF 50V Z Y5V(F) 1508 R/TP	
		C2N3	0CH1223K942	O	O	O	O	CAPACITOR,CHIP[CERAMIC M/L HD	0.022UF 50V Z Y5V(F) 1508 R/TP	
		C2N4	0CH1225F944	O	O	O	O	CAPACITOR,FIXED CERAMIC(Temp.c	2.2UF 16V 80%,-20% Y5V(F) 3216	
		C301	0CH1104K942	O	O	O	O	CAPACITOR,CHIP[CERAMIC M/L HD	0.1UF 50V Z Y5V(F) 1508 R/TP	
		C302	0CH1225F944	O	O	O	O	CAPACITOR,FIXED CERAMIC(Temp.c	2.2UF 16V 80%,-20% Y5V(F) 3216	
		C303	0CH1104K942	O	O	O	O	CAPACITOR,CHIP[CERAMIC M/L HD	0.1UF 50V Z Y5V(F) 1508 R/TP	
		C304	0CH1104K942	O	O	O	O	CAPACITOR,CHIP[CERAMIC M/L HD	0.1UF 50V Z Y5V(F) 1508 R/TP	
		C305	0CH1104K942	O	O	O	O	CAPACITOR,CHIP[CERAMIC M/L HD	0.1UF 50V Z Y5V(F) 1508 R/TP	
		C306	0CH1104K942	O	O	O	O	CAPACITOR,CHIP[CERAMIC M/L HD	0.1UF 50V Z Y5V(F) 1508 R/TP	
		C307	0CH1104K942	O	O	O	O	CAPACITOR,CHIP[CERAMIC M/L HD	0.1UF 50V Z Y5V(F) 1508 R/TP	
		C308	0CE4764F638	O	O	O	O	CAPACITOR,ELECTROLYTIC	47M SRA/SS 16V M FM5 TP(5)	
		C309	0CH1225F944	O	O	O	O	CAPACITOR,FIXED CERAMIC(Temp.c	2.2UF 16V 80%,-20% Y5V(F) 3216	
		C314	0CH1104K942	O	O	O	O	CAPACITOR,CHIP[CERAMIC M/L HD	0.1UF 50V Z Y5V(F) 1508 R/TP	
		C316	0CH1104K942	O	O	O	O	CAPACITOR,CHIP[CERAMIC M/L HD	0.1UF 50V Z Y5V(F) 1508 R/TP	
		C317	0CE4764F638	O	O	O	O	CAPACITOR,ELECTROLYTIC	47M SRA/SS 16V M FM5 TP(5)	
		C318	0CH1104K942	O	O	O	O	CAPACITOR,CHIP[CERAMIC M/L HD	0.1UF 50V Z Y5V(F) 1508 R/TP	
		C319	0CH1104K942	O	O	O	O	CAPACITOR,CHIP[CERAMIC M/L HD	0.1UF 50V Z Y5V(F) 1508 R/TP	
		C320	0CH1104K942	O	O	O	O	CAPACITOR,CHIP[CERAMIC M/L HD	0.1UF 50V Z Y5V(F) 1508 R/TP	
		C3F1	0CH1225F944	O	O	O	O	CAPACITOR,FIXED CERAMIC(Temp.c	2.2UF 16V 80%,-20% Y5V(F) 3216	
		C3F2	0CH1104K942	O	O	O	O	CAPACITOR,CHIP[CERAMIC M/L HD	0.1UF 50V Z Y5V(F) 1508 R/TP	
		C401	0CE2264F638	O	O	O	O	CAPACITOR,ELECTROLYTIC	22M SRA 16V M FM5 TP(5)	
		C402	0CE2264F638	O	O	O	O	CAPACITOR,ELECTROLYTIC	22M SRA 16V M FM5 TP(5)	
		C403	0CE2264F638	O	O	O	O	CAPACITOR,ELECTROLYTIC	22M SRA 16V M FM5 TP(5)	
		C404	0CE2264F638	O	O	O	O	CAPACITOR,ELECTROLYTIC	22M SRA 16V M FM5 TP(5)	
		C405	0CE4764F638	O	O	O	O	CAPACITOR,ELECTROLYTIC	47M SRA/SS 16V M FM5 TP(5)	
		C406	0CN1040K948	O	O	O	O	CAPACITOR,FIXED TUBULAR(High d	0.1UF D 50V 80%,-20% F(Y5V) TA	
		C408	0CE1064F638	O	O	O	O	CAPACITOR,ELECTROLYTIC	10M SRA 16V M FM5 TP(5)	
		C409	0CE2274C638	O	O	O	O	CAPACITOR,ELECTROLYTIC	220M SRA 6.3V M FM5 TP(5)	
		C410	0CN2710K518	O	O	O	O	CAPACITOR TUBULA(HIGH DIELE)	270P 50V K B TA26	
		C411	0CN1020K518	O	O	O	O	CAPACITOR TUBULA(HIGH DIELE)	1000P 50V K B TA26	
		C412	0CN2710K518	O	O	O	O	CAPACITOR TUBULA(HIGH DIELE)	270P 50V K B TA26	
		C413	0CE1064F638	O	O	O	O	CAPACITOR,ELECTROLYTIC	10M SRA 16V M FM5 TP(5)	
		C414	0CN1040K948	O	O	O	O	CAPACITOR,FIXED TUBULAR(High d	0.1UF D 50V 80%,-20% F(Y5V) TA	
		C415	0CE1064F638	O	O	O	O	CAPACITOR,ELECTROLYTIC	10M SRA 16V M FM5 TP(5)	
		C416	0CN1020K518	O	O	O	O	CAPACITOR TUBULA(HIGH DIELE)	1000P 50V K B TA26	
		C417	0CN2710K518	O	O	O	O	CAPACITOR TUBULA(HIGH DIELE)	270P 50V K B TA26	
		C418	0CN3920F668	O	O	O	O	CAPACITOR TUBULA(HIGH DIELE)	3900P 16V M X TA26	
		C419	0CE2264F638	O	O	O	O	CAPACITOR,ELECTROLYTIC	22M SRA 16V M FM5 TP(5)	
		C420	0CN3920F668	O	O	O	O	CAPACITOR TUBULA(HIGH DIELE)	3900P 16V M X TA26	
		C421	0CE2264F638	O	O	O	O	CAPACITOR,ELECTROLYTIC	22M SRA 16V M FM5 TP(5)	
		C422	0CE1064F638	O	O	O	O	CAPACITOR,ELECTROLYTIC	10M SRA 16V M FM5 TP(5)	
		C423	0CN2710K518	O	O	O	O	CAPACITOR TUBULA(HIGH DIELE)	270P 50V K B TA26	
		C424	0CN1040K948	O	O	O	O	CAPACITOR,FIXED TUBULAR(High d	0.1UF D 50V 80%,-20% F(Y5V) TA	
		C501	0CE4764F638	O	O	O	O	CAPACITOR,ELECTROLYTIC	47M SRA/SS 16V M FM5 TP(5)	
		C503	0CH1104K942	O	O	O	O	CAPACITOR,CHIP[CERAMIC M/L HD	0.1UF 50V Z Y5V(F) 1508 R/TP	
		C504	0CE1064F638	O	O	O	O	CAPACITOR,ELECTROLYTIC	10M SRA 16V M FM5 TP(5)	
		C506	0CH1225F944	O	O	O	O	CAPACITOR,FIXED CERAMIC(Temp.c	2.2UF 16V 80%,-20% Y5V(F) 3216	
		C507	0CE4764F638	O	O	O	O	CAPACITOR,ELECTROLYTIC	47M SRA/SS 16V M FM5 TP(5)	
		C508	0CH1104K942	O	O	O	O	CAPACITOR,CHIP[CERAMIC M/L HD	0.1UF 50V Z Y5V(F) 1508 R/TP	
		C509	0CH1104K942	O	O	O	O	CAPACITOR,CHIP[CERAMIC M/L HD	0.1UF 50V Z Y5V(F) 1508 R/TP	
		C510	0CH1104K942	O	O	O	O	CAPACITOR,CHIP[CERAMIC M/L HD	0.1UF 50V Z Y5V(F) 1508 R/TP	

S	AL	LOCA.NO	PART NO(LG)	A	B	C	D	DESCRIPTION	SPECIFICATION	REMARKS
		C511	0CH1104K942	O	O	O	O	CAPACITOR,CHIP[CERAMIC M/L HD	0.1UF 50V Z Y5V(F) 1508 R/TP	
		C512	0CH1104K942	O	O	O	O	CAPACITOR,CHIP[CERAMIC M/L HD	0.1UF 50V Z Y5V(F) 1508 R/TP	
		C513	0CH1104K942	O	O	O	O	CAPACITOR,CHIP[CERAMIC M/L HD	0.1UF 50V Z Y5V(F) 1508 R/TP	
		C514	0CH1104K942	O	O	O	O	CAPACITOR,CHIP[CERAMIC M/L HD	0.1UF 50V Z Y5V(F) 1508 R/TP	
		C515	0CH1104K942	O	O	O	O	CAPACITOR,CHIP[CERAMIC M/L HD	0.1UF 50V Z Y5V(F) 1508 R/TP	
		C516	0CH1104K942	O	O	O	O	CAPACITOR,CHIP[CERAMIC M/L HD	0.1UF 50V Z Y5V(F) 1508 R/TP	
		C517	0CH1104K942	O	O	O	O	CAPACITOR,CHIP[CERAMIC M/L HD	0.1UF 50V Z Y5V(F) 1508 R/TP	
		C518	0CH1104K942	O	O	O	O	CAPACITOR,CHIP[CERAMIC M/L HD	0.1UF 50V Z Y5V(F) 1508 R/TP	
		C519	0CH1104K942	O	O	O	O	CAPACITOR,CHIP[CERAMIC M/L HD	0.1UF 50V Z Y5V(F) 1508 R/TP	
		C520	0CH1104K942	O	O	O	O	CAPACITOR,CHIP[CERAMIC M/L HD	0.1UF 50V Z Y5V(F) 1508 R/TP	
		C521	0CH1104K942	O	O	O	O	CAPACITOR,CHIP[CERAMIC M/L HD	0.1UF 50V Z Y5V(F) 1508 R/TP	
		C522	0CH1104K942	O	O	O	O	CAPACITOR,CHIP[CERAMIC M/L HD	0.1UF 50V Z Y5V(F) 1508 R/TP	
		C523	0CH1225F944	O	O	O	O	CAPACITOR,FIXED CERAMIC(Temp.c	2.2UF 16V 80%,-20% Y5V(F) 3216	
		C525	0CH1104K942	O	O	O	O	CAPACITOR,CHIP[CERAMIC M/L HD	0.1UF 50V Z Y5V(F) 1508 R/TP	
		C526	0CH1104K942	O	O	O	O	CAPACITOR,CHIP[CERAMIC M/L HD	0.1UF 50V Z Y5V(F) 1508 R/TP	
		C527	0CH1104K942	O	O	O	O	CAPACITOR,CHIP[CERAMIC M/L HD	0.1UF 50V Z Y5V(F) 1508 R/TP	
		C528	0CH1104K942	O	O	O	O	CAPACITOR,CHIP[CERAMIC M/L HD	0.1UF 50V Z Y5V(F) 1508 R/TP	
		C529	0CH1104K942	O	O	O	O	CAPACITOR,CHIP[CERAMIC M/L HD	0.1UF 50V Z Y5V(F) 1508 R/TP	
		C530	0CH1104K942	O	O	O	O	CAPACITOR,CHIP[CERAMIC M/L HD	0.1UF 50V Z Y5V(F) 1508 R/TP	
		C531	0CH1104K942	O	O	O	O	CAPACITOR,CHIP[CERAMIC M/L HD	0.1UF 50V Z Y5V(F) 1508 R/TP	
		C532	0CH1104K942	O	O	O	O	CAPACITOR,CHIP[CERAMIC M/L HD	0.1UF 50V Z Y5V(F) 1508 R/TP	
		C533	0CH1104K942	O	O	O	O	CAPACITOR,CHIP[CERAMIC M/L HD	0.1UF 50V Z Y5V(F) 1508 R/TP	
		C534	0CH1104K942	O	O	O	O	CAPACITOR,CHIP[CERAMIC M/L HD	0.1UF 50V Z Y5V(F) 1508 R/TP	
		C535	0CH1104K942	O	O	O	O	CAPACITOR,CHIP[CERAMIC M/L HD	0.1UF 50V Z Y5V(F) 1508 R/TP	
		C536	0CH1104K942	O	O	O	O	CAPACITOR,CHIP[CERAMIC M/L HD	0.1UF 50V Z Y5V(F) 1508 R/TP	
		C537	0CH4221K412	O	O	O	O	CAPACITOR,CHIP[CERAMIC M/L TC	220P 50V J COG 1.6X0.8 R/TP	
		C538	0CH1225F944	O	O	O	O	CAPACITOR,FIXED CERAMIC(Temp.c	2.2UF 16V 80%,-20% Y5V(F) 3216	
		C540	0CH4180K412	O	O	O	O	CAPACITOR,CHIP[CERAMIC M/L TC	18P 50V J COG 1.6X0.8 R/TP	
		C541	0CH4270K412	O	O	O	O	CAPACITOR,CHIP[CERAMIC M/L TC	27PF 50V J NP0 1608 R/TP	
		C542	0CH1104K942	O	O	O	O	CAPACITOR,CHIP[CERAMIC M/L HD	0.1UF 50V Z Y5V(F) 1508 R/TP	
		C543	0CH1104K942	O	O	O	O	CAPACITOR,CHIP[CERAMIC M/L HD	0.1UF 50V Z Y5V(F) 1508 R/TP	
		C544	0CH1225F944	O	O	O	O	CAPACITOR,FIXED CERAMIC(Temp.c	2.2UF 16V 80%,-20% Y5V(F) 3216	
		C546	0CH4221K412	O	O	O	O	CAPACITOR,CHIP[CERAMIC M/L TC	220P 50V J COG 1.6X0.8 R/TP	
		C548	0CH4221K412	O	O	O	O	CAPACITOR,CHIP[CERAMIC M/L TC	220P 50V J COG 1.6X0.8 R/TP	
		C549	0CH4221K412	O	O	O	O	CAPACITOR,CHIP[CERAMIC M/L TC	220P 50V J COG 1.6X0.8 R/TP	
		C550	0CH1104K942	O	O	O	O	CAPACITOR,CHIP[CERAMIC M/L HD	0.1UF 50V Z Y5V(F) 1508 R/TP	
		C553	0CH4221K412	O	O	O	O	CAPACITOR,CHIP[CERAMIC M/L TC	220P 50V J COG 1.6X0.8 R/TP	
		C554	0CH1104K942	O	O	O	O	CAPACITOR,CHIP[CERAMIC M/L HD	0.1UF 50V Z Y5V(F) 1508 R/TP	
		C555	0CH4101K412	O	O	O	O	CHIP CAPA CERAMIC M/L T.C F/S	100P 50V J COG 1.6X0.8 R/TP	
		C556	0CH4101K412	O	O	O	O	CHIP CAPA CERAMIC M/L T.C F/S	100P 50V J COG 1.6X0.8 R/TP	
		C557	0CH4270K412	O	O	O	O	CAPACITOR,CHIP[CERAMIC M/L TC	27PF 50V J NP0 1608 R/TP	
		C558	0CE1054F638		O		O	CAPACITOR,ELECTROLYTIC	1.0M SRA/SS50V M FM5 TP(5)	
		C559	0CE1064F638		O		O	CAPACITOR,ELECTROLYTIC	10M SRA 16V M FM5 TP(5)	
		C560	0CE1074F638		O		O	CAPACITOR,ELECTROLYTIC	100U SRA 16V M FM5 TP(5)	
		C561	0CE2264F638		O		O	CAPACITOR,ELECTROLYTIC	22M SRA 16V M FM5 TP(5)	
		C606	0CN1040K948	O	O	O	O	CAPACITOR,FIXED TUBULAR(High d	0.1UF D 50V 80%,-20% F(Y5V) TA	
		C607	0CN1040K948	O	O	O	O	CAPACITOR,FIXED TUBULAR(High d	0.1UF D 50V 80%,-20% F(Y5V) TA	
		C613	0CE4775C638	O	O	O	O	CAPACITOR,FIXED ELECTROLYTIC	470UF SR,SV 6.3V 20% FM5 TP 5	
		C901	0CN1040K948	O	O	O	O	CAPACITOR,FIXED TUBULAR(High d	0.1UF D 50V 80%,-20% F(Y5V) TA	
		C902	0CE1064F638	O	O	O	O	CAPACITOR,ELECTROLYTIC	10M SRA 16V M FM5 TP(5)	
		C905	0CN1040K948	O	O	O	O	CAPACITOR,FIXED TUBULAR(High d	0.1UF D 50V 80%,-20% F(Y5V) TA	
		C906	0CN1040K948	O	O	O	O	CAPACITOR,FIXED TUBULAR(High d	0.1UF D 50V 80%,-20% F(Y5V) TA	
		C907	0CE4764F638	O	O	O	O	CAPACITOR,ELECTROLYTIC	47M SRA/SS 16V M FM5 TP(5)	
		C908	0CE4764F638	O	O	O	O	CAPACITOR,ELECTROLYTIC	47M SRA/SS 16V M FM5 TP(5)	
		C909	0CE4764J638	O	O	O	O	CAPACITOR,AL.ELECTROLYTIC	47UF SRA,SS 35V M FM5 TP 5	
		C910	0CN1040K948	O	O	O	O	CAPACITOR,FIXED TUBULAR(High d	0.1UF D 50V 80%,-20% F(Y5V) TA	
		C911	0CN1040K948	O	O	O	O	CAPACITOR,FIXED TUBULAR(High d	0.1UF D 50V 80%,-20% F(Y5V) TA	
		C912	0CE4764F638	O	O	O	O	CAPACITOR,ELECTROLYTIC	47M SRA/SS 16V M FM5 TP(5)	

S	AL	LOCA.NO	PART NO(LG)	A	B	C	D	DESCRIPTION	SPECIFICATION	REMARKS
		C915	0CN1040K948	O	O	O	O	CAPACITOR,FIXED TUBULAR(High d	0.1UF D 50V 80%,-20% F(Y5V) TA	
		C916	0CN1040K948	O	O	O	O	CAPACITOR,FIXED TUBULAR(High d	0.1UF D 50V 80%,-20% F(Y5V) TA	
DIODE&DIGITRON										
		D100	0DD221009AA	O	O	O	O	DIODE,RECTIFIERS	ERA22-10 KFLB,TP ,R T/P,FUJI	
		D102	0DR158220AA	O	O	O	O	DIODE,RECTIFIER	1N5822 BK RECTRON DO201AD 40V	
		D103	0DR310000AA	O	O	O	O	DIODE,RECTIFIERS	RU3YXLF-C1 BK SANKEN D4 100V 2	
		D104	0DD010009AC	O	O	O	O	DIODE	EU01W(R-FORM) TP SANKEN	
		D106	0DR104009AB	O	O	O	O	DIODE,RECTIFIER	RL104 R. TP GULF SEMICONDUCTOR	
		D107	0DD010009AC	O	O	O	O	DIODE	EU01W(R-FORM) TP SANKEN	
		D108	0DD010009AC	O	O	O	O	DIODE	EU01W(R-FORM) TP SANKEN	
		D109	0DR158220AA	O	O	O	O	DIODE,RECTIFIER	1N5822 BK RECTRON DO201AD 40V	
		D110	0DR104009BA	O	O	O	O	DIODE,RECTIFIER	RL104F TP RECTRON NON 400V 1A	
		D111	0DRRE00029A	O	O	O	O	DIODE,RECTIFIERS	1N17 RECTRON TP NON 20V 1A 20	
		D2A1	0DS202009CA	O	O	O	O	DIODE,SWITCHING	DAN202K TP ROHM KOREA SOT23 80	
		D2A2	0DS202009CA	O	O	O	O	DIODE,SWITCHING	DAN202K TP ROHM KOREA SOT23 80	
		D2A3	0DS202009CA	O	O	O	O	DIODE,SWITCHING	DAN202K TP ROHM KOREA SOT23 80	
		D603	0DS141489BB	O	O	O	O	DIODE,SWITCHING	1N4148 26MM TP GRANDE DO34 75V	
		D604	0DS141489BB	O	O	O	O	DIODE,SWITCHING	1N4148 26MM TP GRANDE DO34 75V	
		D605	0DS141489BB		O		O	DIODE,SWITCHING	1N4148 26MM TP GRANDE DO34 75V	
		DIG901	6302RCV116A	O	O	O	O	DIGITRON	VFD20-0613FN ZEC SEG VFD DVDP	
FUSE										
		F101	585-011T		O		O	FUSE,SLOW BLOW	1600MA 250 V 5.2X20 CY/GL SEMK	
		F101	585-027B	O			O	FUSE,SLOW BLOW	1600MA 250 V 5.2X20 CY/GL KS /	
IC										
		F102	GIRH100000B	O	O	O	O	IC,ROHM	ICP-N10 T104 TP IC DETACT	
		IC101	0IPMGFA024A	O	O	O	O	IC,POWER MANAGEMENT	KA5M0265R-YDTU FAIRCHILD TO-22	
		IC102	657-063A	O	O	O	O	SENSOR	LTV-817B,PHOTO COUPLER(LITEON)	
		IC103	0IPMGFA017A	O	O	O	O	IC,POWER MANAGEMENT	KA78R12TSTU FAIRCHILD 4P TO-22	
		IC104	0IKE431000A	O	O	O	O	IC,KEC	KIA431 3 PIN TP	
		IC105	0IPMGFA016A	O	O	O	O	IC,POWER MANAGEMENT	KA78R08TSTU FAIRCHILD 4P TO-22	
		IC106	0IPMGFA015A	O	O	O	O	IC,POWER MANAGEMENT	KA78R33TSTU FAIRCHILD 4P TO-22	
		IC107	0IPMGFA015A	O	O	O	O	IC,POWER MANAGEMENT	KA78R33TSTU FAIRCHILD 4P TO-22	
		IC201	0ILNRHY002B	O	O	O	O	IC,LINEAR	HDC25D811B HYUNDAI 208 QFP TRA	
		IC203	0IEB121616B	O	O	O	O	IC,ELITE MEMORY TECHNOLOGY	M12L16161A-7T-L 50PIN TSOP TRA	
		IC206	0ISTLTO015A	O	O	O	O	IC,STANDARD LOGIC	TC7WHU04FU TOSHIBA 8PIN SSOP R	
		IC2A1	0ILNRHI003A	O	O	O	O	IC,LINEAR	HD153702TF HITACHI 64 TQFP TRA	
		IC2A2	0IJR341400C	O	O	O	O	IC,JRC	NJM3414AM-TE1,3K/REEL. JRC	
		IC2A4	0IKE393000G	O	O	O	O	IC,KEC	KIA393F-EL FLP-8 TP DUAL COMPA	
		IC2M1	0ILNRFA013A	O	O	O	O	IC,LINEAR	FAN8004 FAIRCHILD 48 QFP TRAY	
		IC301	0ICTMHY011A	O	O	O	O	IC,CUSTOMIZED	HS353106 HYNIX 100 TQFP TRAY C	
		IC305	0IMMRHY025A	O	O	O	O	IC,MEMORIES	HY57643220CT-7I HYUNDAI 86P TS	
		IC401	0IPRPCI003A	O	O	O	O	IC,PERIPHERALS	CS4391-KSR CIRRUS LOGIC 20 SOI	
		IC402	0ILNRBB003B				O	IC,LINEAR	OPA2604AP BUR BROWN 8P DIP ST	
		IC402	0ILNRFA006A	O	O			IC,LINEAR	KA5532 FAIRCHILD 8P DIP ST DUA	
		IC501	0INS860100A				O	IC,NATIONAL SEMICONDUCTOR	NDV8601 240 VQFP BK MICOM+MPEG	
		IC501	0INS860200A	O	O		O	IC,NATIONAL SEMICONDUCTOR	NDV8602 240 VQFP BK MICOM+MPEG	
		IC502	0IMMRAL012A	O	O	O	O	IC,MEMORIES	AT93C56-10SC(SI)-2.7-8S1 ATMEL	
		IC503	0IFA742440F	O	O	O	O	IC,FAIRCHILD	MM74HCT244SJ 20P SOIC TP 3-STA	
		IC504	0IPRPMTO02A		O		O	IC,PERIPHERALS	MM1510XNRE MITSUMI 6,SOT-26A R	
		IC506	0IPMGRH003A	O	O	O	O	IC,POWER MANAGEMENT	BA18BC0FP-E2 ROHM 3P TO252-3 R	
		IC901	0IMCRHY031A	O	O	O	O	IC,MICRO CONTROLLER	GMS81C2012-HI010 HYUNDAI 64 QF	
		IC902	0IKE704200B	O	O	O	O	IC,KEC	KIA7042P 3P 4.2V RESET(TAPING)	
JACK										
		JK601	6612R-L007A	O	O	O	O	JACK,FIBER OPTIC	GP1FA550TZ SHARP VE	
		JK602	6612R-C006H		O		O	JACK,RCA	RCA DIN-09G YUQIU D-GND R4P+DI	
		JK602	6612R-C006U	O		O		JACK,RCA	RCA/DIN-21G YUQIU DVD-5000	
		JK603	6612F00007A	O	O	O	O	JACK,PHONE	PJ-308-01 YUQIU	
		JK604	6612R-K001E		O		O	JACK,RCA	RGB-08A YUQIU 1F(BK) W/SHIELD	

S	AL	LOCA.NO	PART NO(LG)	A	B	C	D	DESCRIPTION	SPECIFICATION	REMARKS
COIL&FILTER&LED										
		F602	6200HJC901A	O	O	O	O	FILTER(CIRC),EMC	CFI06B1H101MF SAMHWA TP 2-5K	
		F603	6200HJC901A	O	O	O	O	FILTER(CIRC),EMC	CFI06B1H101MF SAMHWA TP 2-5K	
		F604	6200HJC901A	O	O	O	O	FILTER(CIRC),EMC	CFI06B1H101MF SAMHWA TP 2-5K	
		F605	6200HJC901A	O	O	O	O	FILTER(CIRC),EMC	CFI06B1H101MF SAMHWA TP 2-5K	
		F606	6200HJC901A	O	O	O	O	FILTER(CIRC),EMC	CFI06B1H101MF SAMHWA TP 2-5K	
		F607	6200HJC901A	O	O	O	O	FILTER(CIRC),EMC	CFI06B1H101MF SAMHWA TP 2-5K	
		F608	6200HJC901A	O	O	O	O	FILTER(CIRC),EMC	CFI06B1H101MF SAMHWA TP 2-5K	
		F617	6200HJC901A		O		O	FILTER(CIRC),EMC	CFI06B1H101MF SAMHWA TP 2-5K	
		F618	6200HJC901A		O		O	FILTER(CIRC),EMC	CFI06B1H101MF SAMHWA TP 2-5K	
		F622	6200HJC901A		O		O	FILTER(CIRC),EMC	CFI06B1H101MF SAMHWA TP 2-5K	
	△	L101	616-145M	O	O	O	O	FILTER(CIRC),DRAWING	V-04350 LS FUTAI BULK =616-145	
		L102	633-088D	O	O	O	O	COIL,CHOKE	CHOCK ,20UH KWANGSUNG LEAD CU	
		L103	633-088G	O	O	O	O	COIL,CHOKE	CHOCK(22MH) 5MM TOKO TP	
		L105	633-088G	O	O	O	O	COIL,CHOKE	CHOCK(22MH) 5MM TOKO TP	
		L201	6200HJC102A	O	O	O	O	FILTER(CIRC),EMC	HB-1M2012-102JT CERATECH TP	
		L202	0RH000D622	O	O	O	O	RESISTOR,METAL GLAZED(CHIP)	0 OHM 1 / 10 W 2012 5.00% D	
		L203	6200HJC102A	O	O	O	O	FILTER(CIRC),EMC	HB-1M2012-102JT CERATECH TP	
		L206	6200HJC102A	O	O	O	O	FILTER(CIRC),EMC	HB-1M2012-102JT CERATECH TP	
		L207	6200HJC102A	O	O	O	O	FILTER(CIRC),EMC	HB-1M2012-102JT CERATECH TP	
		L2A1	6200HJC102A	O	O	O	O	FILTER(CIRC),EMC	HB-1M2012-102JT CERATECH TP	
		L2A2	6200HJC102A	O	O	O	O	FILTER(CIRC),EMC	HB-1M2012-102JT CERATECH TP	
		L301	6200HJC102A	O	O	O	O	FILTER(CIRC),EMC	HB-1M2012-102JT CERATECH TP	
		L302	0RH0221D622	O	O	O	O	RESISTOR,METAL GLAZED(CHIP)	2.2 OHM 1 / 10 W 2012 5.00% D	
		L3F1	6200HJC102A	O	O	O	O	FILTER(CIRC),EMC	HB-1M2012-102JT CERATECH TP	
		L502	6200HJC102A	O	O	O	O	FILTER(CIRC),EMC	HB-1M2012-102JT CERATECH TP	
		L503	6200HJC102A	O	O	O	O	FILTER(CIRC),EMC	HB-1M2012-102JT CERATECH TP	
		L504	6200HJC102A	O	O	O	O	FILTER(CIRC),EMC	HB-1M2012-102JT CERATECH TP	
		L505	6200HJC102A	O	O	O	O	FILTER(CIRC),EMC	HB-1M2012-102JT CERATECH TP	
		L603	0LA0101K018	O	O	O	O	INDUCTOR AXIAL LEAD	1.0M K 2.3X3.4 L5 TP	
		L604	0LA0101K018	O	O	O	O	INDUCTOR AXIAL LEAD	1.0M K 2.3X3.4 L5 TP	
		LED910	0DLAU0029AA	O	O	O	O	LED	AUK SYM3272 (YELLOW-GREEN,GREE	
TRANSFORMER										
	△	T101	6170RNGW05A	O	O	O	O	TRANSFORMER,SMPS[COIL]	SJE/LSE/SHT-W05A SJ/LSE/SH WID	
TRANSISTOR										
		Q107	0TR127309AA	O	O	O	O	TRANSISTOR	KTA1273-TP-Y (KTA966A)KEC	
		Q108	0TR319809AC	O	O	O	O	TRANSISTOR	KTC3198-TP-BL (KTC1815)KEC	
		Q2A1	0TR150409AC	O	O	O	O	TRANSISTOR	KTA1504-GR-T1(ASG) CHIP KEC	
		Q2A2	0TR150409AC	O	O	O	O	TRANSISTOR	KTA1504-GR-T1(ASG) CHIP KEC	
		Q2A5	0TR388209AA	O	O	O	O	TRANSISTOR,BIPOLARS	CHIP KTC3882 SOT-23 TP KEC - -	
		Q2A6	0TR388209AA	O	O	O	O	TRANSISTOR,BIPOLARS	CHIP KTC3882 SOT-23 TP KEC - -	
		Q2M1	0TR103009AA	O	O	O	O	TRANSISTOR	CHIP KRC103S-T1(NC)22-22 KEC	
		Q601	0TR126709AC		O		O	TRANSISTOR	KTA1267-GR MINI TP KEC	
		Q602	0TR103009AE		O		O	TRANSISTOR	KRC103M-TP (KRC1203) KEC	
		Q603	0TR103009AE		O		O	TRANSISTOR	KRC103M-TP (KRC1203) KEC	
		Q605	0TR103009AF	O	O	O	O	TRANSISTOR	KRA103M-TP (KRA2203) KEC	
		Q606	0TR103009AF	O	O	O	O	TRANSISTOR	KRA103M-TP (KRA2203) KEC	
		Q607	0TR319909AF	O	O	O	O	TRANSISTOR,BIPOLARS	KTC3199-BL MINI TP KEC	
		Q608	0TR319909AF	O	O	O	O	TRANSISTOR,BIPOLARS	KTC3199-BL MINI TP KEC	
		Q615	0TR126709AC	O	O	O	O	TRANSISTOR	KTA1267-GR MINI TP KEC	
		Q904	0TR319909AF	O	O	O	O	TRANSISTOR,BIPOLARS	KTC3199-BL MINI TP KEC	
		Q905	0TR103009AE	O	O	O	O	TRANSISTOR	KRC103M-TP (KRC1203) KEC	
		Q906	0TR103009AE	O	O	O	O	TRANSISTOR	KRC103M-TP (KRC1203) KEC	
RESISTOR										
		L202	0RH000D622	O	O	O	O	RESISTOR,METAL GLAZED(CHIP)	0 OHM 1 / 10 W 2012 5.00% D	
		L302	0RH0221D622	O	O	O	O	RESISTOR,METAL GLAZED(CHIP)	2.2 OHM 1 / 10 W 2012 5.00% D	
		R100	0RD1504H632		O		O	RESISTOR,FIXED CARBON FILM	1.5M OHM 1/2 W 5.00% MF10	
		R101	614-007A	O	O	O	O	RESISTOR	2.7/2W CEMENT SMPS V	

S	AL	LOCA.NO	PART NO(LG)	A	B	C	D	DESCRIPTION	SPECIFICATION	REMARKS
		R102	0RD2203F608	O	O	O	O	RESISTOR,FIXED CARBON FILM	220K OHM 1/6 W 5.00% TA26	
		R103	0RS5602K619	O	O	O	O	RESISTOR,FIXED METAL OXIDE FIL	56K OHM 2 W 5.00% TR	
		R104	0RD2203F608	O	O	O	O	RESISTOR,FIXED CARBON FILM	220K OHM 1/6 W 5.00% TA26	
		R112	0RD0391F608	O	O	O	O	RESISTOR,FIXED CARBON FILM	3.9 OHM 1/6 W 5.00% TA26	
		R114	0RD1003F608	O	O	O	O	RESISTOR,FIXED CARBON FILM	100K OHM 1/6 W 5.00% TA26	
		R115	0RD0182F608	O	O	O	O	RESISTOR,FIXED CARBON FILM	18 OHM 1/6 W 5.00% TA26	
		R116	0RD0182F608	O	O	O	O	RESISTOR,FIXED CARBON FILM	18 OHM 1/6 W 5.00% TA26	
		R120	0RD4702F608	O	O	O	O	RESISTOR,FIXED CARBON FILM	47K OHM 1/6 W 5.00% TA26	
		R121	0RD1201F608	O	O	O	O	RESISTOR,FIXED CARBON FILM	1.2K OHM 1/6 W 5.00% TA26	
		R122	0RD2200F608	O	O	O	O	RESISTOR,FIXED CARBON FILM	220 OHM 1/6 W 5.00% TA26	
		R123	0RD1002F608	O	O	O	O	RESISTOR,FIXED CARBON FILM	10K OHM 1/6 W 5.00% TA26	
		R124	0RD1800F608	O	O	O	O	RESISTOR,FIXED CARBON FILM	180 OHM 1/6 W 5.00% TA26	
		R125	0RD3901F608	O	O	O	O	RESISTOR,FIXED CARBON FILM	3.9K OHM 1/6 W 5.00% TA26	
		R126	0RD1001F608	O	O	O	O	RESISTOR,FIXED CARBON FILM	1K OHM 1/6 W 5.00% TA26	
		R127	0RN3601E408	O	O	O	O	RESISTOR,FIXED METAL FILM	3.6K OHM 1/8 W 1.00% TA26	
		R128	0RN3301E408	O	O	O	O	RESISTOR,FIXED METAL FILM	3.3K OHM 1/8 W 1.00% TA26	
		R130	0RD1002F608	O	O	O	O	RESISTOR,FIXED CARBON FILM	10K OHM 1/6 W 5.00% TA26	
		R140	0RD1002F608	O	O	O	O	RESISTOR,FIXED CARBON FILM	10K OHM 1/6 W 5.00% TA26	
		R141	0RD1002F608	O	O	O	O	RESISTOR,FIXED CARBON FILM	10K OHM 1/6 W 5.00% TA26	
		R142	0RD1002F608	O	O	O	O	RESISTOR,FIXED CARBON FILM	10K OHM 1/6 W 5.00% TA26	
		R145	0RS0562K619	O	O	O	O	RESISTOR,FIXED METAL OXIDE FIL	56 OHM 2 W 5% TR	
		R201	0RH0000C622	O	O	O	O	RESISTOR,METAL GLAZED(CHIP)	0 OHM 1 / 16 W 1608 5.00% D	
		R202	0RH0000C622	O	O	O	O	RESISTOR,METAL GLAZED(CHIP)	0 OHM 1 / 16 W 1608 5.00% D	
		R203	0RH1001C622	O	O	O	O	RESISTOR,METAL GLAZED(CHIP)	1K OHM 1 / 16 W 1608 5.00% D	
		R204	0RH1001C622	O	O	O	O	RESISTOR,METAL GLAZED(CHIP)	1K OHM 1 / 16 W 1608 5.00% D	
		R205	0RH1001C622	O	O	O	O	RESISTOR,METAL GLAZED(CHIP)	1K OHM 1 / 16 W 1608 5.00% D	
		R207	0RH1004C622	O	O	O	O	RESISTOR,METAL GLAZED(CHIP)	1M OHM 1 / 16 W 1608 5.00% D	
		R217	0RH0102C622	O	O	O	O	RESISTOR,METAL GLAZED(CHIP)	10 OHM 1 / 16 W 1608 5.00% D	
		R218	0RH4700C622	O	O	O	O	RESISTOR,METAL GLAZED(CHIP)	470 OHM 1 / 16 W 1608 5.00% D	
		R219	0RH1002C622	O	O	O	O	RESISTOR,METAL GLAZED(CHIP)	10K OHM 1 / 16 W 1608 5.00% D	
		R220	0RH1002C622	O	O	O	O	RESISTOR,METAL GLAZED(CHIP)	10K OHM 1 / 16 W 1608 5.00% D	
		R230	0RH1000C622	O	O	O	O	RESISTOR,METAL GLAZED(CHIP)	100 OHM 1 / 16 W 1608 5.00% D	
		R231	0RH1000C622	O	O	O	O	RESISTOR,METAL GLAZED(CHIP)	100 OHM 1 / 16 W 1608 5.00% D	
		R232	0RH1000C622	O	O	O	O	RESISTOR,METAL GLAZED(CHIP)	100 OHM 1 / 16 W 1608 5.00% D	
		R233	0RH1000C622	O	O	O	O	RESISTOR,METAL GLAZED(CHIP)	100 OHM 1 / 16 W 1608 5.00% D	
		R234	0RH1000C622	O	O	O	O	RESISTOR,METAL GLAZED(CHIP)	100 OHM 1 / 16 W 1608 5.00% D	
		R235	0RH1000C622	O	O	O	O	RESISTOR,METAL GLAZED(CHIP)	100 OHM 1 / 16 W 1608 5.00% D	
		R236	0RH1000C622	O	O	O	O	RESISTOR,METAL GLAZED(CHIP)	100 OHM 1 / 16 W 1608 5.00% D	
		R237	0RH1000C622	O	O	O	O	RESISTOR,METAL GLAZED(CHIP)	100 OHM 1 / 16 W 1608 5.00% D	
		R239	0RH0000C622	O	O	O	O	RESISTOR,METAL GLAZED(CHIP)	0 OHM 1 / 16 W 1608 5.00% D	
		R240	0RH0000C622	O	O	O	O	RESISTOR,METAL GLAZED(CHIP)	0 OHM 1 / 16 W 1608 5.00% D	
		R241	0RH0000C622	O	O	O	O	RESISTOR,METAL GLAZED(CHIP)	0 OHM 1 / 16 W 1608 5.00% D	
		R242	0RH0000C622	O	O	O	O	RESISTOR,METAL GLAZED(CHIP)	0 OHM 1 / 16 W 1608 5.00% D	
		R243	0RH0000C622	O	O	O	O	RESISTOR,METAL GLAZED(CHIP)	0 OHM 1 / 16 W 1608 5.00% D	
		R252	0RH0000C622	O	O	O	O	RESISTOR,METAL GLAZED(CHIP)	0 OHM 1 / 16 W 1608 5.00% D	
		R273	0RH1501C622	O	O	O	O	RESISTOR,METAL GLAZED(CHIP)	1.5K OHM 1 / 16 W 1608 5.00% D	
		R274	0RH6200C622	O	O	O	O	RESISTOR,METAL GLAZED(CHIP)	620 OHM 1 / 16 W 1608 5.00% D	
		R275	0RH1501C622	O	O	O	O	RESISTOR,METAL GLAZED(CHIP)	1.5K OHM 1 / 16 W 1608 5.00% D	
		R276	0RH9100C622	O	O	O	O	RESISTOR,METAL GLAZED(CHIP)	910 OHM 1 / 16 W 1608 5.00% D	
		R277	0RH1500C622	O	O	O	O	RESISTOR,METAL GLAZED(CHIP)	150 OHM 1 / 16 W 1608 5.00% D	
		R278	0RH0000C622	O	O	O	O	RESISTOR,METAL GLAZED(CHIP)	0 OHM 1 / 16 W 1608 5.00% D	
		R279	0RH0000C622	O	O	O	O	RESISTOR,METAL GLAZED(CHIP)	0 OHM 1 / 16 W 1608 5.00% D	
		R281	0RH0000C622	O	O	O	O	RESISTOR,METAL GLAZED(CHIP)	0 OHM 1 / 16 W 1608 5.00% D	
		R290	0RH0000C622	O	O	O	O	RESISTOR,METAL GLAZED(CHIP)	0 OHM 1 / 16 W 1608 5.00% D	
		R291	0RH1000C622	O	O	O	O	RESISTOR,METAL GLAZED(CHIP)	100 OHM 1 / 16 W 1608 5.00% D	
		R2A1	0RH0912C622	O	O	O	O	RESISTOR,METAL GLAZED(CHIP)	91 OHM 1 / 16 W 1608 5.00% D	
		R2A2	0RH0000C622	O	O	O	O	RESISTOR,METAL GLAZED(CHIP)	0 OHM 1 / 16 W 1608 5.00% D	
		R2A6	0RH1202C422	O	O	O	O	RESISTOR,METAL GLAZED(CHIP)	12K OHM 1 / 16 W 1608 1.00% D	

S	AL	LOCA.NO	PART NO(LG)	A	B	C	D	DESCRIPTION	SPECIFICATION	REMARKS
		R410	0RD7501F608	O	O	O	O	RESISTOR,FIXED CARBON FILM	7.5K OHM 1/6 W 5.00% TA26	
		R411	0RD7501F608	O	O	O	O	RESISTOR,FIXED CARBON FILM	7.5K OHM 1/6 W 5.00% TA26	
		R412	0RD1801F608	O	O	O	O	RESISTOR,FIXED CARBON FILM	1.8K OHM 1/6 W 5.00% TA26	
		R413	0RD1002F608	O	O	O	O	RESISTOR,FIXED CARBON FILM	10K OHM 1/6 W 5.00% TA26	
		R414	0RD5601F608	O	O	O	O	RESISTOR,FIXED CARBON FILM	5.6K OHM 1/6 W 5.00% TA26	
		R415	0RD4701F608	O	O	O	O	RESISTOR,FIXED CARBON FILM	4.7K OHM 1/6 W 5.00% TA26	
		R416	0RD1002F608	O	O	O	O	RESISTOR,FIXED CARBON FILM	10K OHM 1/6 W 5.00% TA26	
		R417	0RD1801F608	O	O	O	O	RESISTOR,FIXED CARBON FILM	1.8K OHM 1/6 W 5.00% TA26	
		R418	0RD1002F608	O	O	O	O	RESISTOR,FIXED CARBON FILM	10K OHM 1/6 W 5.00% TA26	
		R419	0RD3300F608	O	O	O	O	RESISTOR,FIXED CARBON FILM	330 OHM 1/6 W 5.00% TA26	
		R420	0RD3300F608	O	O	O	O	RESISTOR,FIXED CARBON FILM	330 OHM 1/6 W 5.00% TA26	
		R431	0RD1001F608	O	O	O	O	RESISTOR,FIXED CARBON FILM	1K OHM 1/6 W 5.00% TA26	
		R433	0RD5600F608	O	O	O	O	RESISTOR,FIXED CARBON FILM	560 OHM 1/6 W 5.00% TA26	
		R434	0RD5600F608	O	O	O	O	RESISTOR,FIXED CARBON FILM	560 OHM 1/6 W 5.00% TA26	
		R435	0RD1001F608	O	O	O	O	RESISTOR,FIXED CARBON FILM	1K OHM 1/6 W 5.00% TA26	
		R436	0RD1001F608	O	O	O	O	RESISTOR,FIXED CARBON FILM	1K OHM 1/6 W 5.00% TA26	
		R501	0RH3301C622	O	O	O	O	RESISTOR,METAL GLAZED(CHIP)	3.3K OHM 1 / 16 W 1608 5.00% D	
		R502	0RH1001C622	O	O	O	O	RESISTOR,METAL GLAZED(CHIP)	1K OHM 1 / 16 W 1608 5.00% D	
		R503	0RH0000C622	O	O	O	O	RESISTOR,METAL GLAZED(CHIP)	0 OHM 1 / 16 W 1608 5.00% D	
		R504	0RH1500C622	O	O	O	O	RESISTOR,METAL GLAZED(CHIP)	150 OHM 1 / 16 W 1608 5.00% D	
		R505	0RH0102C622	O	O	O	O	RESISTOR,METAL GLAZED(CHIP)	10 OHM 1 / 16 W 1608 5.00% D	
		R506	0RH1001C422	O	O	O	O	RESISTOR,METAL GLAZED(CHIP)	1K OHM 1 / 16 W 1608 1.00% D	
		R507	0RH1100C622	O	O	O	O	RESISTOR,METAL GLAZED(CHIP)	110 OHM 1 / 16 W 1608 5.00% D	
		R508	0RH0752C622	O	O	O	O	RESISTOR,METAL GLAZED(CHIP)	75 OHM 1 / 16 W 1608 5.00% D	
		R509	0RH1100C622	O	O	O	O	RESISTOR,METAL GLAZED(CHIP)	110 OHM 1 / 16 W 1608 5.00% D	
		R510	0RH0222C622	O	O	O	O	RESISTOR,METAL GLAZED(CHIP)	22 OHM 1 / 16 W 1608 5.00% D	
		R514	0RH0222C622	O	O	O	O	RESISTOR,METAL GLAZED(CHIP)	22 OHM 1 / 16 W 1608 5.00% D	
		R515	0RH0222C622	O	O	O	O	RESISTOR,METAL GLAZED(CHIP)	22 OHM 1 / 16 W 1608 5.00% D	
		R516	0RH1000C622	O	O	O	O	RESISTOR,METAL GLAZED(CHIP)	100 OHM 1 / 16 W 1608 5.00% D	
		R517	0RH0222C622	O	O	O	O	RESISTOR,METAL GLAZED(CHIP)	22 OHM 1 / 16 W 1608 5.00% D	
		R518	0RH0222C622	O	O	O	O	RESISTOR,METAL GLAZED(CHIP)	22 OHM 1 / 16 W 1608 5.00% D	
		R519	0RH0222C622	O	O	O	O	RESISTOR,METAL GLAZED(CHIP)	22 OHM 1 / 16 W 1608 5.00% D	
		R520	0RH0222C622	O	O	O	O	RESISTOR,METAL GLAZED(CHIP)	22 OHM 1 / 16 W 1608 5.00% D	
		R521	0RH4701C622	O	O	O	O	RESISTOR,METAL GLAZED(CHIP)	4.7K OHM 1 / 16 W 1608 5.00% D	
		R522	0RH1002C622	O	O	O	O	RESISTOR,METAL GLAZED(CHIP)	10K OHM 1 / 16 W 1608 5.00% D	
		R523	0RH4701C622	O	O	O	O	RESISTOR,METAL GLAZED(CHIP)	4.7K OHM 1 / 16 W 1608 5.00% D	
		R524	0RH1001C622	O	O	O	O	RESISTOR,METAL GLAZED(CHIP)	1K OHM 1 / 16 W 1608 5.00% D	
		R525	0RH0222C622	O	O	O	O	RESISTOR,METAL GLAZED(CHIP)	22 OHM 1 / 16 W 1608 5.00% D	
		R527	0RH1201C622	O	O	O	O	RESISTOR,METAL GLAZED(CHIP)	1.2K OHM 1 / 16 W 1608 5.00% D	
		R530	0RH1201C622	O	O	O	O	RESISTOR,METAL GLAZED(CHIP)	1.2K OHM 1 / 16 W 1608 5.00% D	
		R531	0RH1201C622	O	O	O	O	RESISTOR,METAL GLAZED(CHIP)	1.2K OHM 1 / 16 W 1608 5.00% D	
		R532	0RH1201C622	O	O	O	O	RESISTOR,METAL GLAZED(CHIP)	1.2K OHM 1 / 16 W 1608 5.00% D	
		R533	0RH1201C622	O	O	O	O	RESISTOR,METAL GLAZED(CHIP)	1.2K OHM 1 / 16 W 1608 5.00% D	
		R534	0RH6800C622	O	O	O	O	RESISTOR,METAL GLAZED(CHIP)	680 OHM 1 / 16 W 1608 5.00% D	
		R535	0RH1201C622	O	O	O	O	RESISTOR,METAL GLAZED(CHIP)	1.2K OHM 1 / 16 W 1608 5.00% D	
		R541	0RH1002C622	O	O	O	O	RESISTOR,METAL GLAZED(CHIP)	10K OHM 1 / 16 W 1608 5.00% D	
		R542	0RH1201C622	O	O	O	O	RESISTOR,METAL GLAZED(CHIP)	1.2K OHM 1 / 16 W 1608 5.00% D	
		R588	0RH0752C622	O	O	O	O	RESISTOR,METAL GLAZED(CHIP)	75 OHM 1 / 16 W 1608 5.00% D	
		R589	0RH0752C622	O	O	O	O	RESISTOR,METAL GLAZED(CHIP)	75 OHM 1 / 16 W 1608 5.00% D	
		R590	0RH0752C622	O	O	O	O	RESISTOR,METAL GLAZED(CHIP)	75 OHM 1 / 16 W 1608 5.00% D	
		R591	0RH0752C622	O	O	O	O	RESISTOR,METAL GLAZED(CHIP)	75 OHM 1 / 16 W 1608 5.00% D	
		R597	0RH0000C622	O	O	O	O	RESISTOR,METAL GLAZED(CHIP)	0 OHM 1 / 16 W 1608 5.00% D	
		R598	0RH0000C622	O		O		RESISTOR,METAL GLAZED(CHIP)	0 OHM 1 / 16 W 1608 5.00% D	
		R599	0RH0752C622		O		O	RESISTOR,METAL GLAZED(CHIP)	75 OHM 1 / 16 W 1608 5.00% D	
		R601	0RD4702F608		O		O	RESISTOR,FIXED CARBON FILM	47K OHM 1/6 W 5.00% TA26	
		R604	0RD0752F608		O		O	RESISTOR,FIXED CARBON FILM	75 OHM 1/6 W 5.00% TA26	
		R605	0RD1001F608	O	O	O	O	RESISTOR,FIXED CARBON FILM	1K OHM 1/6 W 5.00% TA26	
		R606	0RD1001F608	O	O	O	O	RESISTOR,FIXED CARBON FILM	1K OHM 1/6 W 5.00% TA26	

S	AL	LOCA.NO	PART NO(LG)	A	B	C	D	DESCRIPTION	SPECIFICATION	REMARKS
		R607	0RD1001F608	O	O	O	O	RESISTOR,FIXED CARBON FILM	1K OHM 1/6 W 5.00% TA26	
		R608	0RD1001F608	O	O	O	O	RESISTOR,FIXED CARBON FILM	1K OHM 1/6 W 5.00% TA26	
		R609	0RD1001F608	O	O	O	O	RESISTOR,FIXED CARBON FILM	1K OHM 1/6 W 5.00% TA26	
		R618	0RD1003F608	O	O	O	O	RESISTOR,FIXED CARBON FILM	100K OHM 1/6 W 5.00% TA26	
		R619	0RD1003F608	O	O	O	O	RESISTOR,FIXED CARBON FILM	100K OHM 1/6 W 5.00% TA26	
		R620	0RD2200F608	O	O	O	O	RESISTOR,FIXED CARBON FILM	220 OHM 1/6 W 5.00% TA26	
		R621	0RD2200F608	O	O	O	O	RESISTOR,FIXED CARBON FILM	220 OHM 1/6 W 5.00% TA26	
		R622	0RD0222F608	O	O	O	O	RESISTOR,FIXED CARBON FILM	22 OHM 1/6 W 5.00% TA26	
		R624	0RD1001F608	O	O	O	O	RESISTOR,FIXED CARBON FILM	1K OHM 1/6 W 5.00% TA26	
		R628	0RD4702F608	O	O	O	O	RESISTOR,FIXED CARBON FILM	47K OHM 1/6 W 5.00% TA26	
		R633	0RD4701F608	O	O	O	O	RESISTOR,FIXED CARBON FILM	4.7K OHM 1/6 W 5.00% TA26	
		R634	0RD5601F608	O	O	O	O	RESISTOR,FIXED CARBON FILM	5.6K OHM 1/6 W 5.00% TA26	
		R652	0RD0752F608		O		O	RESISTOR,FIXED CARBON FILM	75 OHM 1/6 W 5.00% TA26	
		R653	0RD1001F608		O		O	RESISTOR,FIXED CARBON FILM	1K OHM 1/6 W 5.00% TA26	
		R654	0RD1002F608		O		O	RESISTOR,FIXED CARBON FILM	10K OHM 1/6 W 5.00% TA26	
		R655	0RD2201F608		O		O	RESISTOR,FIXED CARBON FILM	2.2K OHM 1/6 W 5.00% TA26	
		R656	0RD1001F608		O		O	RESISTOR,FIXED CARBON FILM	1K OHM 1/6 W 5.00% TA26	
		R676	0RD0752F608		O		O	RESISTOR,FIXED CARBON FILM	75 OHM 1/6 W 5.00% TA26	
		R6M1	0RD2200F608		O		O	RESISTOR,FIXED CARBON FILM	220 OHM 1/6 W 5.00% TA26	
		R6M2	0RD2200F608		O		O	RESISTOR,FIXED CARBON FILM	220 OHM 1/6 W 5.00% TA26	
		R6M3	0RD1003F608		O		O	RESISTOR,FIXED CARBON FILM	100K OHM 1/6 W 5.00% TA26	
		R6M4	0RD1003F608		O		O	RESISTOR,FIXED CARBON FILM	100K OHM 1/6 W 5.00% TA26	
		R903	0RD6800F608	O	O	O	O	RESISTOR,FIXED CARBON FILM	680 OHM 1/6 W 5.00% TA26	
		R904	0RD1201F608	O	O	O	O	RESISTOR,FIXED CARBON FILM	1.2K OHM 1/6 W 5.00% TA26	
		R905	0RD1501F608	O	O	O	O	RESISTOR,FIXED CARBON FILM	1.5K OHM 1/6 W 5.00% TA26	
		R906	0RD3301F608	O	O	O	O	RESISTOR,FIXED CARBON FILM	3.3K OHM 1/6 W 5.00% TA26	
		R907	0RD4701F608	O	O	O	O	RESISTOR,FIXED CARBON FILM	4.7K OHM 1/6 W 5.00% TA26	
		R908	0RD8201F608	O	O	O	O	RESISTOR,FIXED CARBON FILM	8.2K OHM 1/6 W 5.00% TA26	
		R909	0RD1502F608	O	O	O	O	RESISTOR,FIXED CARBON FILM	15K OHM 1/6 W 5.00% TA26	
		R912	0RD8200F608	O	O	O	O	RESISTOR,FIXED CARBON FILM	820 OHM 1/6 W 5.00% TA26	
		R922	0RD1501F608	O	O	O	O	RESISTOR,FIXED CARBON FILM	1.5K OHM 1/6 W 5.00% TA26	
		R923	0RD1201F608	O	O	O	O	RESISTOR,FIXED CARBON FILM	1.2K OHM 1/6 W 5.00% TA26	
		R924	0RD8200F608	O	O	O	O	RESISTOR,FIXED CARBON FILM	820 OHM 1/6 W 5.00% TA26	
		R925	0RD6800F608	O	O	O	O	RESISTOR,FIXED CARBON FILM	680 OHM 1/6 W 5.00% TA26	
		R926	0RD1002F608	O	O	O	O	RESISTOR,FIXED CARBON FILM	10K OHM 1/6 W 5.00% TA26	
		R927	0RD1002F608	O	O	O	O	RESISTOR,FIXED CARBON FILM	10K OHM 1/6 W 5.00% TA26	
		R928	0RD1002F608	O	O	O	O	RESISTOR,FIXED CARBON FILM	10K OHM 1/6 W 5.00% TA26	
		R929	0RD1002F608	O	O	O	O	RESISTOR,FIXED CARBON FILM	10K OHM 1/6 W 5.00% TA26	
		R930	0RD1002F608	O	O	O	O	RESISTOR,FIXED CARBON FILM	10K OHM 1/6 W 5.00% TA26	
		R931	0RD1002F608	O	O	O	O	RESISTOR,FIXED CARBON FILM	10K OHM 1/6 W 5.00% TA26	
		R932	0RD3301F608	O	O	O	O	RESISTOR,FIXED CARBON FILM	3.3K OHM 1/6 W 5.00% TA26	
		R933	0RD3300F608	O	O	O	O	RESISTOR,FIXED CARBON FILM	330 OHM 1/6 W 5.00% TA26	
		R938	0RD1001F608	O	O	O	O	RESISTOR,FIXED CARBON FILM	1K OHM 1/6 W 5.00% TA26	
		R941	0RD2201F608	O	O	O	O	RESISTOR,FIXED CARBON FILM	2.2K OHM 1/6 W 5.00% TA26	
		R943	0RD1200F608	O	O	O	O	RESISTOR,FIXED CARBON FILM	120 OHM 1/6 W 5.00% TA26	
		R944	0RD1200F608	O	O	O	O	RESISTOR,FIXED CARBON FILM	120 OHM 1/6 W 5.00% TA26	
		R945	0RD1002F608	O	O	O	O	RESISTOR,FIXED CARBON FILM	10K OHM 1/6 W 5.00% TA26	
		R946	0RD6801F608	O	O	O	O	RESISTOR,FIXED CARBON FILM	6.8K OHM 1/6 W 5.00% TA26	
		R947	0RD4701F608	O	O	O	O	RESISTOR,FIXED CARBON FILM	4.7K OHM 1/6 W 5.00% TA26	
		R951	0RD1003F608	O	O	O	O	RESISTOR,FIXED CARBON FILM	100K OHM 1/6 W 5.00% TA26	
		R952	0RD1003F608	O	O	O	O	RESISTOR,FIXED CARBON FILM	100K OHM 1/6 W 5.00% TA26	
		R953	0RD1003F608	O	O	O	O	RESISTOR,FIXED CARBON FILM	100K OHM 1/6 W 5.00% TA26	
		R954	0RD1003F608	O	O	O	O	RESISTOR,FIXED CARBON FILM	100K OHM 1/6 W 5.00% TA26	
		R955	0RD1003F608	O	O	O	O	RESISTOR,FIXED CARBON FILM	100K OHM 1/6 W 5.00% TA26	
		R956	0RD1003F608	O	O	O	O	RESISTOR,FIXED CARBON FILM	100K OHM 1/6 W 5.00% TA26	
		R957	0RD1003F608	O	O	O	O	RESISTOR,FIXED CARBON FILM	100K OHM 1/6 W 5.00% TA26	
		R958	0RD1003F608	O	O	O	O	RESISTOR,FIXED CARBON FILM	100K OHM 1/6 W 5.00% TA26	
		R959	0RD1003F608	O	O	O	O	RESISTOR,FIXED CARBON FILM	100K OHM 1/6 W 5.00% TA26	

S	AL	LOCA.NO	PART NO(LG)	A	B	C	D	DESCRIPTION	SPECIFICATION	REMARKS
		R960	0RD1003F608	O	O	O	O	RESISTOR,FIXED CARBON FILM	100K OHM 1/6 W 5.00% TA26	
		R961	0RD1003F608	O	O	O	O	RESISTOR,FIXED CARBON FILM	100K OHM 1/6 W 5.00% TA26	
		R969	0RD1003F608	O	O	O	O	RESISTOR,FIXED CARBON FILM	100K OHM 1/6 W 5.00% TA26	
		R970	0RD1003F608	O	O	O	O	RESISTOR,FIXED CARBON FILM	100K OHM 1/6 W 5.00% TA26	
		R971	0RD1003F608	O	O	O	O	RESISTOR,FIXED CARBON FILM	100K OHM 1/6 W 5.00% TA26	
		R972	0RD1003F608	O	O	O	O	RESISTOR,FIXED CARBON FILM	100K OHM 1/6 W 5.00% TA26	
		R973	0RD1003F608	O	O	O	O	RESISTOR,FIXED CARBON FILM	100K OHM 1/6 W 5.00% TA26	
		R974	0RD1003F608	O	O	O	O	RESISTOR,FIXED CARBON FILM	100K OHM 1/6 W 5.00% TA26	
		R975	0RD1003F608	O	O	O	O	RESISTOR,FIXED CARBON FILM	100K OHM 1/6 W 5.00% TA26	
		R976	0RD1003F608	O	O	O	O	RESISTOR,FIXED CARBON FILM	100K OHM 1/6 W 5.00% TA26	
		R977	0RD1003F608	O	O	O	O	RESISTOR,FIXED CARBON FILM	100K OHM 1/6 W 5.00% TA26	
		R978	0RD1003F608	O	O	O	O	RESISTOR,FIXED CARBON FILM	100K OHM 1/6 W 5.00% TA26	
		R979	0RD1003F608	O	O	O	O	RESISTOR,FIXED CARBON FILM	100K OHM 1/6 W 5.00% TA26	
		R980	0RD1003F608	O	O	O	O	RESISTOR,FIXED CARBON FILM	100K OHM 1/6 W 5.00% TA26	
		R981	0RD1003F608	O	O	O	O	RESISTOR,FIXED CARBON FILM	100K OHM 1/6 W 5.00% TA26	
		RC901	6712R1938GA	O	O	O	O	REMOTE CONTROLLER RECEIVER	TSOP2838WE1 VISHAY(TEMIC) 37-	
REMOCON RECEIVER										
		RC901	6712R1938GA	O	O	O	O	REMOTE CONTROLLER RECEIVER	TSOP2838WE1 VISHAY(TEMIC) 37-	
SENSOR										
		IC102	657-063A	O	O	O	O	SENSOR	LTV-817B,PHOTO COUPLER(LITEON)	
SWITCH										
		SW601	6600R-SH02A		O		O	SWITCH,SLIDE	SKQ-23D15-G5-NA LUPFUNG DC 30	
		SW602	6600R-SH18A	O	O	O	O	SWITCH,TACT	CSS-4206 CHANG SHIN NON DC 30V	
		SW902	556-219B	O	O	O	O	SWITCH,TACT	THVV502GAA POSTECH DC 12 V 5-	
		SW903	556-219B	O	O	O	O	SWITCH,TACT	THVV502GAA POSTECH DC 12 V 5-	
		SW904	556-219B	O	O	O	O	SWITCH,TACT	THVV502GAA POSTECH DC 12 V 5-	
		SW905	556-219B	O	O	O	O	SWITCH,TACT	THVV502GAA POSTECH DC 12 V 5-	
		SW906	556-219B	O	O	O	O	SWITCH,TACT	THVV502GAA POSTECH DC 12 V 5-	
		SW907	556-219B	O	O	O	O	SWITCH,TACT	THVV502GAA POSTECH DC 12 V 5-	
		SW908	556-219B	O	O	O	O	SWITCH,TACT	THVV502GAA POSTECH DC 12 V 5-	
		SW910	556-219B	O	O	O	O	SWITCH,TACT	THVV502GAA POSTECH DC 12 V 5-	
		SW911	556-219B	O	O	O	O	SWITCH,TACT	THVV502GAA POSTECH DC 12 V 5-	
		SW912	556-219B	O	O	O	O	SWITCH,TACT	THVV502GAA POSTECH DC 12 V 5-	
		SW913	556-219B	O	O	O	O	SWITCH,TACT	THVV502GAA POSTECH DC 12 V 5-	
		SW914	556-219B	O	O	O	O	SWITCH,TACT	THVV502GAA POSTECH DC 12 V 5-	
		SW915	556-219B	O	O	O	O	SWITCH,TACT	THVV502GAA POSTECH DC 12 V 5-	
		SW916	556-219B	O	O	O	O	SWITCH,TACT	THVV502GAA POSTECH DC 12 V 5-	
		SW919	6600RRT001T	O	O	O	O	SWITCH,TACT	THVH471BAA POSTECH 12V DC 50MA	
VARIABLE RESISTOR										
CRYSTAL										
		X201	6202R-BM04C	O	O	O	O	RESONATOR,CRYSTAL	HC-49/S BUBANG 33-8688MHZ 5	
		X501	6202R-BL06C	O	O	O	O	RESONATOR,CRYSTAL	HC-49/S BUBANG 27MHZ 20PPM 1	
		X901	6212BA3004C	O	O	O	O	RESONATOR,CERAMIC	CRTL6.00MS0T CORETECH 6MHZ +/-	
ZENER DIODE										
		ZD101	0DZ562609AA	O	O	O	O	DIODE,ZENER	GDZJ5.6B 26MM TP GRANDE DO34	
		ZD605	0DZ332609FB	O	O	O	O	DIODE,ZENERS	GDZJ3.3B 26MM GRANDE TP26 DO34	
		ZD606	0DZ332609FB	O	O	O	O	DIODE,ZENERS	GDZJ3.3B 26MM GRANDE TP26 DO34	
		ZD611	0DZ332609FB	O		O		DIODE,ZENERS	GDZJ3.3B 26MM GRANDE TP26 DO34	
		ZD635	0DZ332609FB	O	O	O	O	DIODE,ZENERS	GDZJ3.3B 26MM GRANDE TP26 DO34	
		ZD637	0DZ332609FB	O	O	O	O	DIODE,ZENERS	GDZJ3.3B 26MM GRANDE TP26 DO34	
		ZD639	0DZ562609AA		O		O	DIODE,ZENER	GDZJ5.6B 26MM TP GRANDE DO34	
		ZD640	0DZ562609AA		O		O	DIODE,ZENER	GDZJ5.6B 26MM TP GRANDE DO34	
		ZD641	0DZ332609FB	O		O		DIODE,ZENERS	GDZJ3.3B 26MM GRANDE TP26 DO34	
		ZD643	0DZ332609FB	O		O		DIODE,ZENERS	GDZJ3.3B 26MM GRANDE TP26 DO34	
CIRCUIT BOARD ASSY & CONNECTOR										
		P4301	6630R-BE024	O	O	O	O	CONNECTOR (CIRC),BOARD TO BOAR	2254-30P-T/JE611-A2T-30T POWER	
		P5402	6630R-BE034	O	O	O	O	CONNECTOR (CIRC),BOARD TO BOAR	2254-30S-T/JE611-B2G-30R POWER	
		P5901	6630R-BE034	O	O	O	O	CONNECTOR (CIRC),BOARD TO BOAR	2254-30S-T/JE611-B2G-30R POWER	

S	AL	LOCA.NO	PART NO(LG)	A	B	C	D	DESCRIPTION	SPECIFICATION	REMARKS
		P9501	6630R-BE024	O	O	O	O	CONNECTOR (CIRC),BOARD TO BOAR	2254-30P-T/JE611-A2T-30T POWER	
		P9904	561-711C	O	O	O	O	CONNECTOR (CIRC),WAFER	GIL-S-03P-S2T2-EF LG CABLE 3PI	
		PBT00	6871R-5049A	O	O	O	O	PWB(PCB) ASSEMBLY,TOTAL	DVN5022E KEY NAD TOOL	
△		PW101	561-292B		O		O	CONNECTOR	GP390 LGC 3P 3.96 STRAIGHT SN	



SERVICE MANUAL

SERVICE MANUAL

MODELS : T512C/T532C/T512AH/T532AH

SERVICE MANUAL

**T512C/T532C/
T512AH/T532AH**

DVD PLAYER

DVD PLAYER

**T512C/T532C/
T512AH/T532AH**



**T512C/T532C/
T512AH/T532AH**
DVD PLAYER

© NAD 2003

**NAD ELECTRONICS INTERNATIONAL
TORONTO**